

DATATRACK.

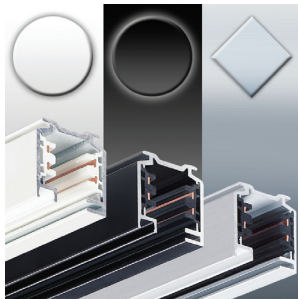
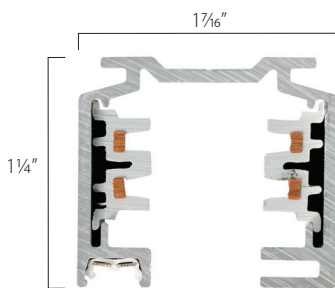
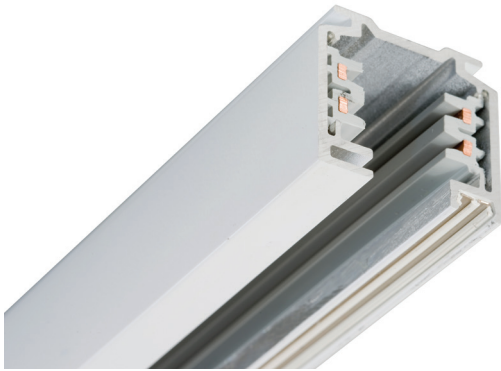
Product Guide



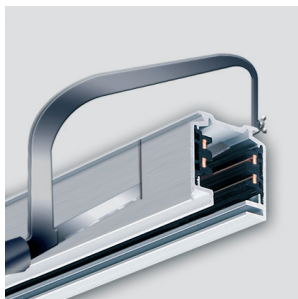
Table of contents

ETC DataTrack®	4
Two-circuit DataTrack accessories	5-8
DataTrack suspension accessories	9
Current limiting	10
Installation guidelines	11

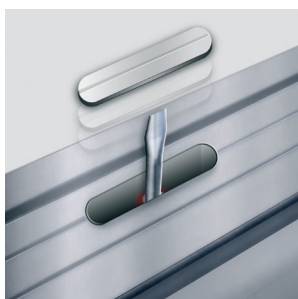
ETC DataTrack



Multiple colors



Field-adjustable lengths



Easy mounting options

On the right track. ETC's DataTrack combines dimmed and switched currents into a single, sleek profile perfect for hybrid-lighting installations that combine both conventional and LED fixtures. It features two separate neutrals that can both be dimmed circuits, two hot circuits or one of each, and has built-in wiring for DMX/RDM.

The sturdy DataTrack can hold up to 22 pounds of weight per foot when fully supported, and is available with three-, five-, eight- and 12-amp current-limiting breakers located directly at the track. It comes in four-, eight- and 12-foot sections, and can also be cut to any custom length in the field.

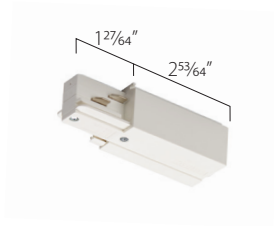
ETC's low-profile DataTrack easily blends into its surroundings, providing power and data reliably and discretely. It's the convenient solution for a variety of permanent applications, including art galleries, museums, retail displays, lobbies, comedy clubs, nightclubs and venues with low ceilings.

With an array of adapters, feeds, end caps, couplers, hanging apparatuses and power/data-feed apparatuses, there's a DataTrack option for any architectural-lighting project.

Length	Color	Model Number
4ft	Black	EDTR04
	White	EDTR04-1
	Silver	EDTR04-5
8ft	Black	EDTR08
	White	EDTR08-1
	Silver	EDTR04-5
12ft	Black	EDTR12
	White	EDTR12-1
	Silver	EDTR12-5

Two-circuit DataTrack accessories

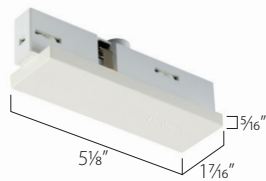
Live-end feed



- Gold-plated data-bus contacts for DMX/RDM
- Nickel-plated line voltage springs for power termination
- Ground right and ground left options

Ground	Color	Model Number
Right	Black	EDTREF-GR
	White	EDTREF-GR-1
	Silver	EDTREF-GR-5
Left	Black	EDTREF-GL
	White	EDTREF-GL-1
	Silver	EDTREF-GL-5

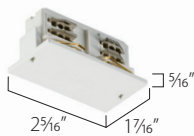
Mid feed



- Can be positioned anywhere along the DataTrack
- Gold-plated data-bus contacts for DMX/RDM
- Nickel-plated line-voltage springs for power termination

Color	Model Number
Black	EDTRMF
White	EDTRMF-1
Silver	EDTRMF-5

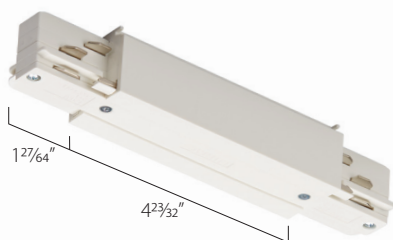
Electrical straight coupler



- For track splicing
- Gold-plated data-bus contacts for DMX/RDM
- Nickel-plated line-voltage springs for power termination

Color	Model Number
Black	EDTRSC
White	EDTRSC-1
Silver	EDTRSC-5

I-coupler

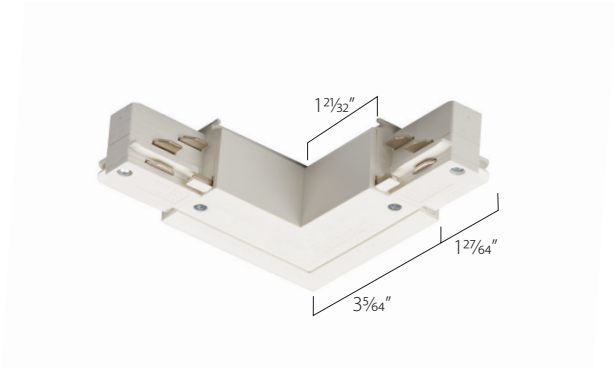


- Gold-plated data-bus contacts for DMX/RDM
- Nickel-plated line-voltage springs for power termination

Color	Model Number
Black	EDTRIC
White	EDTRIC-1
Silver	EDTRIC-5

Two-circuit DataTrack accessories

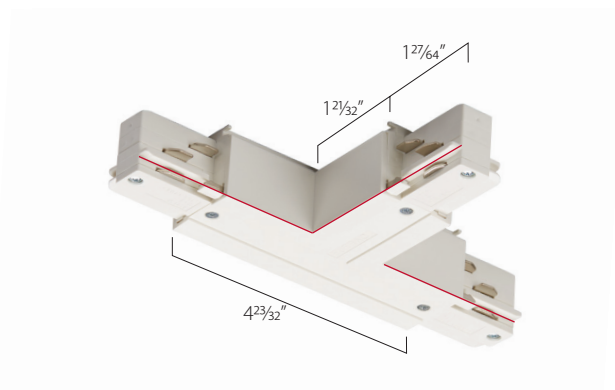
L-coupler



- Gold-plated data-bus contacts for DMX/RDM
- Nickel-plated line-voltage springs for power termination
- Ground inside and ground outside options

Ground	Color	Model Number
Inside	Black	EDTRLC-GI
	White	EDTRLC-GI-1
	Silver	EDTRLC-GI-5
Outside	Black	EDTRLC-GO
	White	EDTRLC-GO-1
	Silver	EDTRLC-GO-5

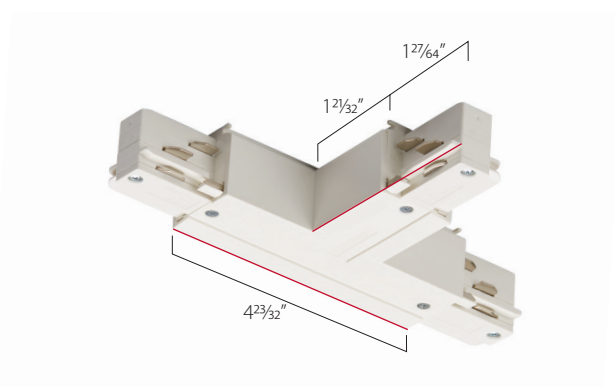
T-coupler: Ground inside



- Gold-plated data-bus contacts for DMX/RDM
- Nickel-plated line-voltage springs for power termination
- Ground right and ground left options

Ground	Color	Model Number
Right	Black	EDTRTC-GIR
	White	EDTRTC-GIR-1
	Silver	EDTRTC-GIR-5
Left	Black	EDTRTC-GIL
	White	EDTRTC-GIL-1
	Silver	EDTRTC-GIL-5

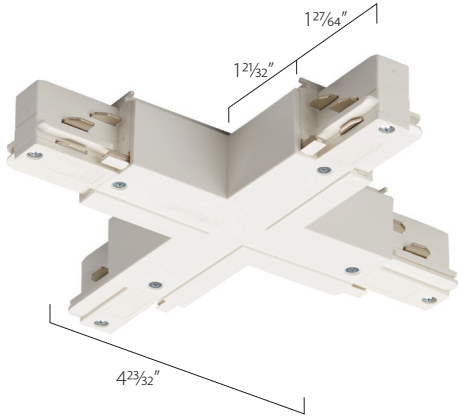
T-coupler: Ground outside



- Gold-plated data-bus contacts for DMX/RDM
- Nickel-plated line-voltage springs for power termination
- Ground right and ground left options

Ground	Color	Model Number
Right	Black	EDTRTC-GOR
	White	EDTRTC-GOR-1
	Silver	EDTRTC-GOR-5
Left	Black	EDTRTC-GOL
	White	EDTRTC-GOL-1
	Silver	EDTRTC-GOL-5

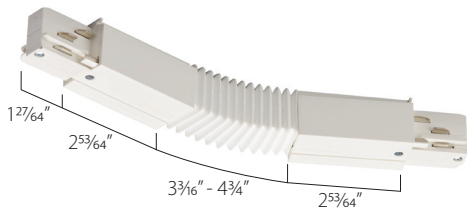
X-coupler



- Gold-plated data-bus contacts for DMX/RDM
- Nickel-plated line-voltage springs for power termination

Color	Model Number
Black	EDTRXC
White	EDTRXC-1
Silver	EDTRXC-5

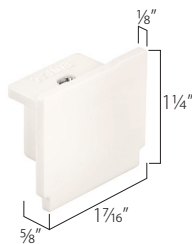
Flex-coupler



- Gold-plated data-bus contacts for DMX/RDM
- Nickel-plated line-voltage springs for power termination
- Minimum bend radius of 30°

Color	Model Number
Black	EDTRFC
White	EDTRFC-1
Silver	EDTRFC-5

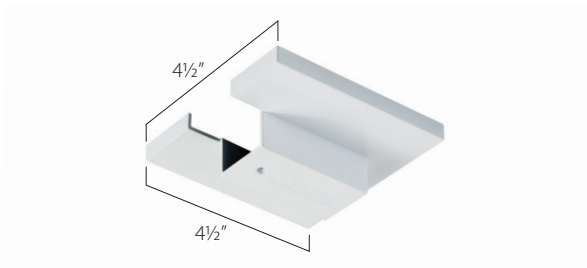
End cap



- One end cap required for each track end without an attached feed

Color	Model Number
Black	EDTREC
White	EDTREC-1
Silver	EDTREC-5

End-feed canopy cover

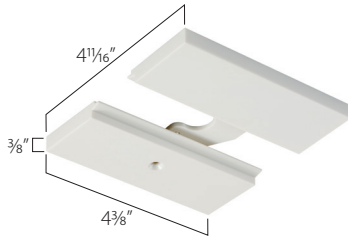


- Can be used with all components that are marked and surface mounted to the ceiling
- Used to cover a ceiling opening or junction box when the track is energized mid-feed

Color	Model Number
Black	EDTRCC
White	EDTRCC-1
Silver	EDTRCC-5

Two-circuit DataTrack accessories

Mid-feed canopy cover



- Used to cover a ceiling opening or junction box when the track is energized mid-feed

Color	Model Number
Black	EDTRMCC
White	EDTRMCC-1
Silver	EDTRMCC-5

T-bar mounting clip



- For use with 15/16" T-grid system
- Support independent of ceiling
- Includes nut to secure to clip

Color	Model Number
White	EDTRTB

Universal adapter



- Secures heavy bracket-mounted fixtures and other fittings to track
- Mechanical rotation stop with spring prevents fixtures from falling when adapter is unfastened
- Maximum load: 22lbs

Color	Model Number
Black	EDTRUA
White	EDTRUA-1

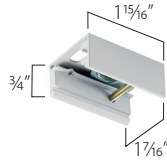
DMX terminator



- Terminates data run
- One terminator required per data feed

Color	Model Number
Black	EDTRDMXT
White	EDTRDMXT-1
Silver	EDTRDMXT-5

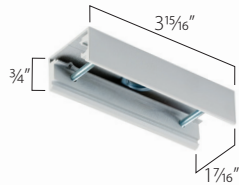
Two-inch pendant clip



- For pendant-mounting with aircraft cables or stems with 3/8" diameter

Color	Model Number
Black	EDTR2PC
White	EDTR2PC-1
Silver	EDTR2PC-5

Four-inch pendant clip



- For joints of pendant-mounted tracks
- Suspended with aircraft cables or stems with 3/8" diameter

Color	Model Number
Black	EDTR4PC
White	EDTR4PC-1
Silver	EDTR4PC-5

Five-inch support/feed canopy kit



- Pendant-cable kit includes:
 - Aircraft cable (4' length, 1/16 guage)
 - Canopy
 - Cable gripper
 - Coupler

Color	Model Number
White	EDTR5SF-1

Five-inch support canopy kit

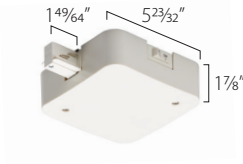


- Pendant-cable kit includes:
 - Aircraft cable (4' length, 1/16 guage)
 - Canopy
 - Cable gripper
 - Coupler

Color	Model Number
White	EDTRM5SC-1

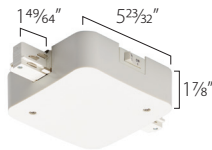
Current limiting

End-feed: Ground left or right



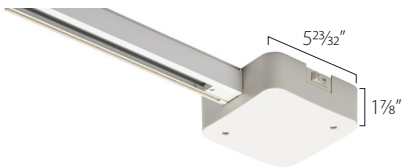
Ground	Color	Model Number
Right	Black	EDTREFCL-GR
	White	EDTREFCL-GR-1
	Silver	EDTREFCL-GR-5
Left	Black	EDTREFCL-GL
	White	EDTREFCL-GL-1
	Silver	EDTREFCL-GL-5

I-coupler



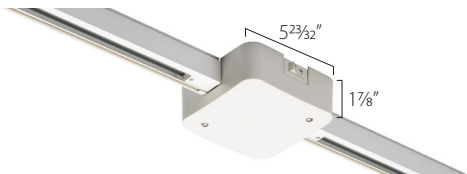
Color	Model Number
Black	EDTRICCL
White	EDTRICCL-1
Silver	EDTRICCL-5

End-feed, Title 24 compliant



Ground	Color	Model Number
Right	Black	EDTREFCLT24-GR
	White	EDTREFCLT24-GR-1
	Silver	EDTREFCLT24-GR-5
Left	Black	EDTREFCLT24-GL
	White	EDTREFCLT24-GL-1
	Silver	EDTREFCLT24-GL-5

I-coupler, Title 24 compliant



Color	Model Number
Black	EDTRICCLT24
White	EDTRICCLT24-1
Silver	EDTRICCLT24-5

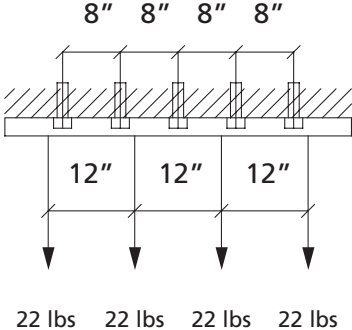
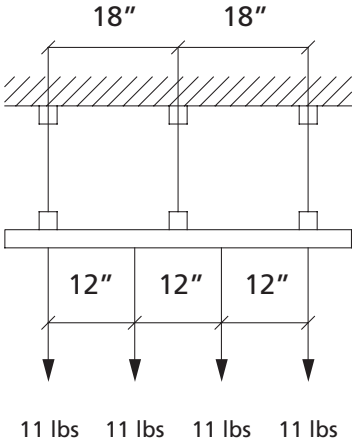
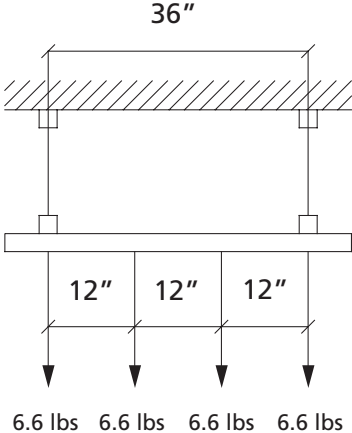
Circuit breaker

- Single-pole
- Three-, five-, eight- and 12 amps

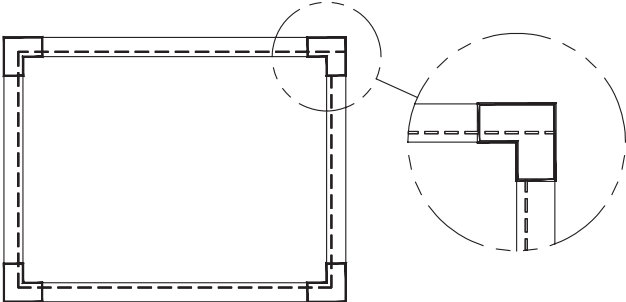


Amp	Color	Model Number
3A	Black	EDTRCL-3A
	White	EDTRCL-3A-1
5A	Black	EDTRCL-5A
	White	EDTRCL-5A-1
8A	Black	EDTRCL-8A
	White	EDTRCL-8A-1
12A	Black	EDTRCL-12A
	White	EDTRCL-12A-1

Load capacity



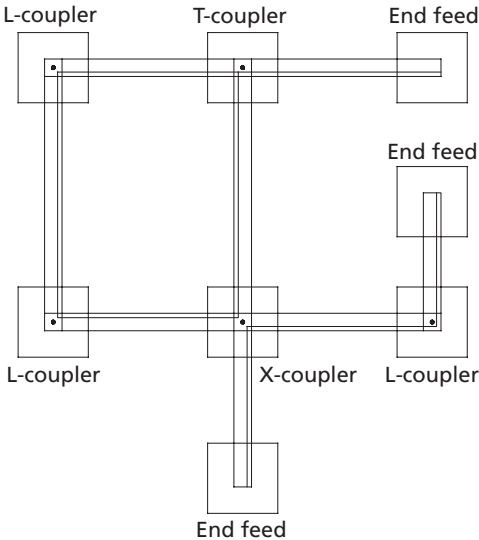
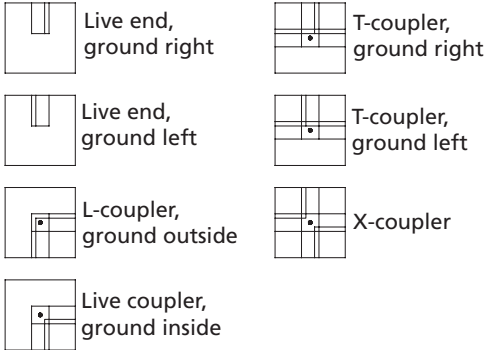
Data



When mounting your DataTrack with data bus, please observe that no loops within the data line are created. Failure to do so may result in unreliable data transmission.

If DataTrack L- or T-couplers are required in your system, the data-line connection in the respective coupler may be disconnected to avoid loops.

Ground path planning





Corporate Headquarters ■ 3031 Pleasant View Rd, PO Box 620979, Middleton WI 53562 0979 USA ■ +1 608 831 4116

London, UK ■ Unit 26-28 Victoria Industrial Estate, Victoria Road, London W3 6UU, UK ■ +44 (0) 20 8896 1000

Rome, IT ■ Via Pieve Torina, 48, 00156 Rome, Italy ■ +39 (06) 32 111 683

Holzkirchen, DE ■ Ohmstrasse 3, 83607 Holzkirchen, Germany ■ +49 (80 24) 47 00-0

Hong Kong ■ Room 1801, 18/F, Tower 1 Phase 1, Enterprise Square, 9 Sheung Yuet Road, Kowloon Bay, Kowloon, Hong Kong ■ +852 2799 1220

Web ■ etconnect.com ■ Copyright©2017 ETC. All Rights Reserved. All product information and specifications subject to change. 7066L1002 Rev C 03/17