

GENERAL INFORMATION

The Irideon WLZ is an LED wash light with zoom optics that provide the highest quality beam from spot to full flood, making it ideal for museums, lobbies, retail stores and more. A range of color temperature options from 3000K to 5000K make the WLZ well suited for any application, while track, canopy and portable mounting options provide the flexibility to meet any installation needs. The soft beam output supports an optional barn-door and provides high-performance dimming utilizing an on-board dimmer or DMX control; canopy versions also support 0-10V or DALI.

APPLICATIONS

- Museums
- Retail stores
- Restaurants
- Hospitality/Lobbies
- Theatres

FEATURES

- Rugged fixture body
- 9-78 degree zoom optics
- Uniquely efficient optical system
- Integrated media holder
- Built-in intensity trim with DMX, DALI or 0-10V control
- Dimming to less than 1% of maximum output
- Available in black, white and silver
 - Custom paint colors available; contact ETC

ORDERING INFORMATION

IRWLZ - 30 / 80 - 120 T X - 1

Irideon WLZ Series: IRWLZ

Color Temperature: 30 = 3000K, 40 = 4000K, 50 = 5000K

CRI: 80 = Standard, 90 = Gallery (3000K only)

Voltage: 120V or 230V

Mounting Style: T = Track, P = Portable, C = Canopy

Control (Canopy only): X = DMX, D = DALI, 010 = 0-10V

Color: Blank = Black, -1 = White, -5 = Silver, -8 = Custom Color



SPECIFICATIONS

PHYSICAL

- A380 grade, die-cast aluminum construction
- Finished in fine-texture, high-temperature, powder-coat paint
- Durable steel yoke
- Tool-free tilt and zoom adjustments
- High-impact resistant, thermally insulated knobs and shutter handles
- Magnetically held media holder accepts gel and dichroics up to 1.75mm thick
- Optional barn door accessory available
- IP20 rated
- Track mount version:
 - Compatible with two-circuit ETC DataTrack (120V versions)
 - Compatible with three-circuit Eutrac with data (230V versions)
 - Color-matched track adapter with fully integrated driver
 - DMX control with integrated manual dimmer/ high-end trim adjustment
- Portable version:
 - Color-matched c-clamp supports up to 2" OD pipe
 - 6' power cable with NEMA 5-15P connector
 - DMX in and thru via RJ45 connections driver enclosure
 - DMX control with integrated manual dimmer/ high-end trim adjustment
- Canopy version:
 - Color-matched canopy fully enclose driver and control electronics
 - Control options for DMX with on-board manual dimmer/ high end trim, 0-10V or DALI
 - DMX version ships with required voltage barrier and termination kit

SOURCE

- Cree® XLamp® MT-G2 EasyWhite LED
 - 3000K: 80+ CRI
 - 3000K Gallery: 90+ CRI
 - 4000K: 80+ CRI
 - 5000K: 80+ CRI
- 35,000 hours L70 lumen maintenance

OPTICAL

- 9-78 degree zoom optics
- Intuitive twist-to-zoom mechanism
- Soft edge beam support optional barn door for shaping

SPECIFICATIONS

ELECTRICAL

- Power consumption at full intensity: 20W typical, 24W Max
- Compliant with ANSI DMX and Remote Device Management (RDM) standards
 - ANSI E1.11-2008
 - ANSI E1.20-2010
- Power input options:

	100-120VAC	100-277VAC	230-240VAC
Portable	X		X
Track	X		X
Canopy - DMX		X	
Canopy - 0-10V		X	
Canopy - DALI		X	

- Inrush (first half-cycle) with DMX control
 - 120V: 11A
 - 240V: 24A
 - 277V: 28A
- Inrush (first half-cycle) with-10V or DALI control
 - 120V: 2A
 - 240V: 5A
 - 277V: 6A

THERMAL

- Ambient operating temperature range" 0°C to 40°C (32°F to 104°F)

REGULATORY AND COMPLIANCE

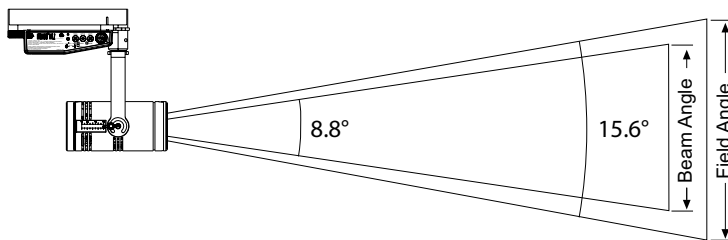
- ETL listed to the following standards:
 - Track mount: UL 1574 and CSA C22.2 No. 9.0
 - Portable: UL 153 and CSA C22.2 No. 250.4
 - Canopy: UL1598 and CSA 22.2 No. 250.0
- CE compliant (230V version only)

PHOTOMETRY

Narrow Focus

Mode	Focus	Candela	Field Lumens	Beam Lumens	Power Consumption	Efficacy (lpw)
3000K / 90 CRI	Narrow	14,050	311	171	19.5	15.9
3000K / 80 CRI	Narrow	18,150	410	230	19.5	21.0
4000K / 80 CRI	Narrow	19,900	447	251	19.5	22.9
5000K / 80 CRI	Narrow	19,240	436	241	19.7	22.1

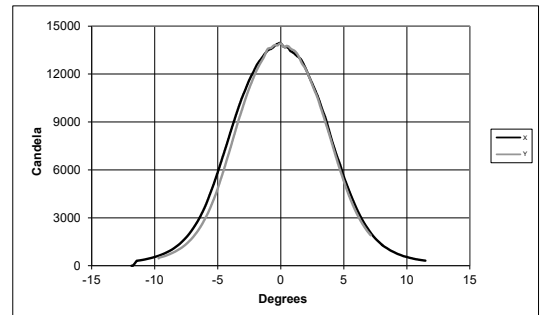
Metric conversions: For meters, multiply feet by 0.3048
For lux, multiply footcandles by 10.76



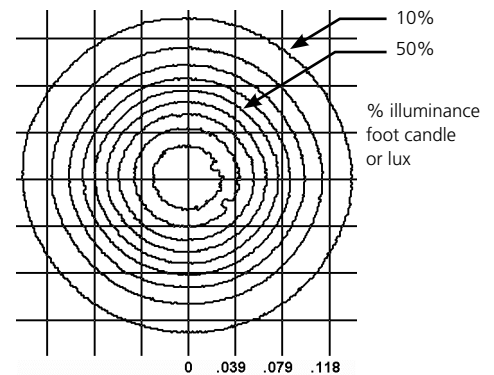
Throw Distance (d)	10ft	15ft	20ft	30ft	134.7ft
	3.0m	4.6m	6.1m	9.1m	41.1m
Field Diameter	2.7ft	4.1ft	5.5ft	8.2ft	-
	0.8m	1.3m	1.7m	2.5m	-
Illuminance (fc)	182	81	45	20	1
Illuminance (lux)	1,954	868	488	217	10.76

For field diameter at any distance, multiply distance by 0.274
For beam diameter at any distance, multiply by 0.154

Candela Plot



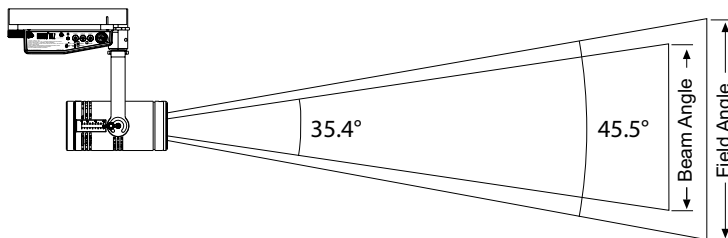
Iso-Illuminance Diagram (Flat Surface Distribution)



Mid Focus

Mode	Focus	Candela	Field Lumens	Beam Lumens	Power Consumption	Efficacy (lpw)
3000K / 90 CRI	Mid	2,310	649	506	19.5	33.3
3000K / 80 CRI	Mid	2,980	832	644	19.5	42.7
4000K / 80 CRI	Mid	3,270	912	718	19.5	46.8
5000K / 80 CRI	Mid	3,160	912	718	19.7	46.3

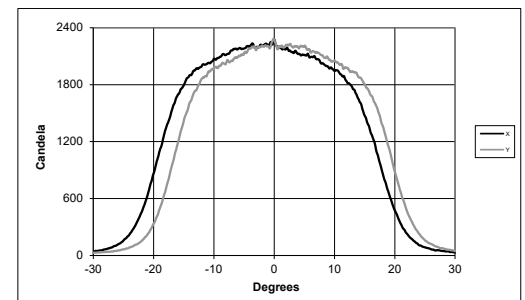
Metric Conversions: For meters, multiply feet by 0.3048
For lux, multiply footcandles by 10.76



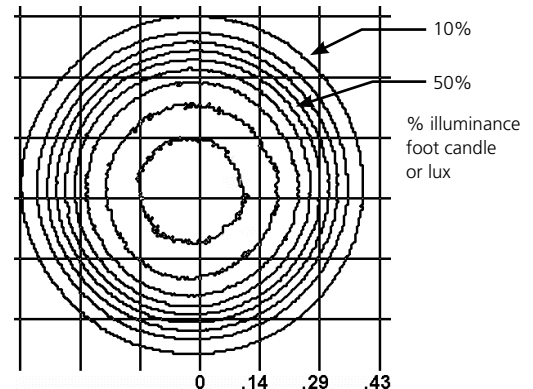
Throw Distance (d)	10ft	15ft	20ft	30ft	54.6ft
	3.0m	4.6m	6.1m	9.1m	16.6m
Field Diameter	8.4ft	12.6ft	16.8ft	25.2ft	-
	2.6m	3.8m	5.1m	7.7m	-
Illuminance (fc)	30	13	7	3	1
Illuminance (lux)	321	143	80	36	10.76

For field diameter at any distance, multiply distance by 0.839
For beam diameter at any distance, multiply by 0.638

Candela Plot



Iso-Illuminance Diagram (Flat Surface Distribution)

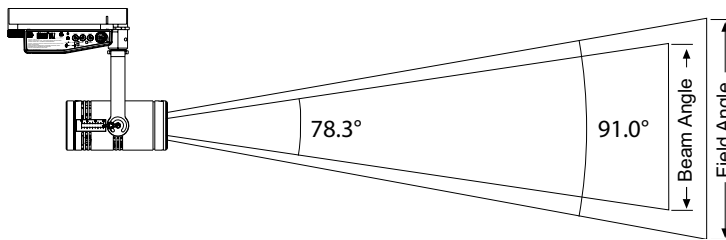


PHOTOMETRY

Wide Focus

Mode	Focus	Candela	Field Lumens	Beam Lumens	Power Consumption	Efficacy (lpw)
3000K / 90 CRI	Wide	774	906	666	19.5	46.5
3000K / 80 CRI	Wide	911	1,161	848	19.5	59.5
4000K / 80 CRI	Wide	1,080	1,272	946	19.5	65.2
5000K / 80 CRI	Wide	1,080	1,273	946	19.7	64.6

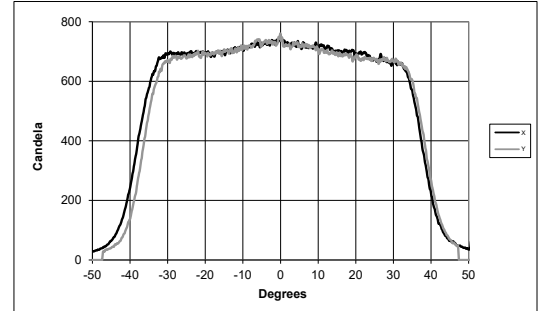
Metric conversions: For meters, multiply feet by 0.3048
 For lux, multiply footcandles by 10.76



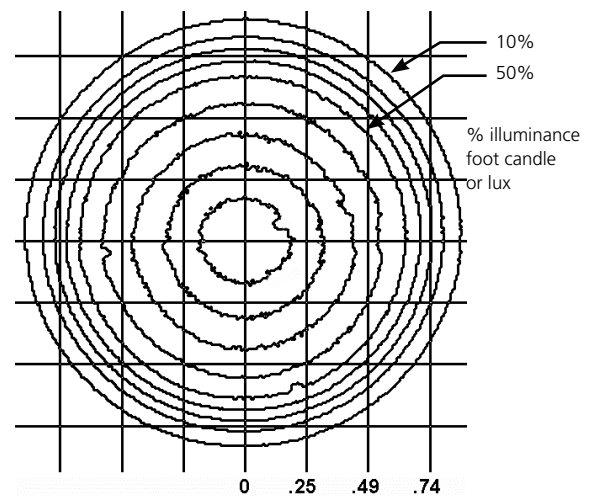
Throw Distance (d)	10ft	15ft	20ft	30ft	30.2ft
	3.0m	4.6m	6.1m	9.1m	9.2m
Field Diameter	20.4ft 6.2m	30.5ft 9.3m	40.7ft 12.4m	61.1ft 18.6m	-
Illuminance (fc)	9	4	2	1	1
Illuminance (lux)	98	44	25	10.76	10.76

For field diameter at any distance, multiply distance by 2.035
 For beam diameter at any distance, multiply by 1.628

Candela Plot



Iso-Illuminance Diagram
 (Flat Surface Distribution)



PHYSICAL

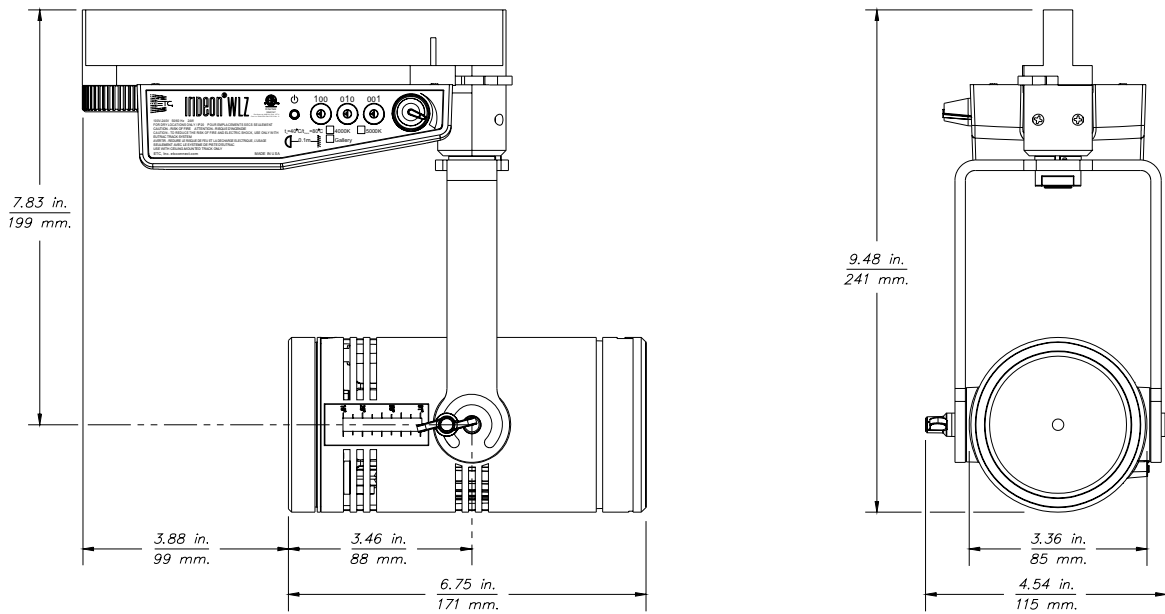
WLZ Dimensions

	HEIGHT		WIDTH		DEPTH	
	in	mm	in	mm	in	mm
Track Mount	11.08	281	5.18	132	14.11	358
Portable	13.62	346	5.18	132	11.14	283
Canopy	10.41	264	5.18	132	11.14	283

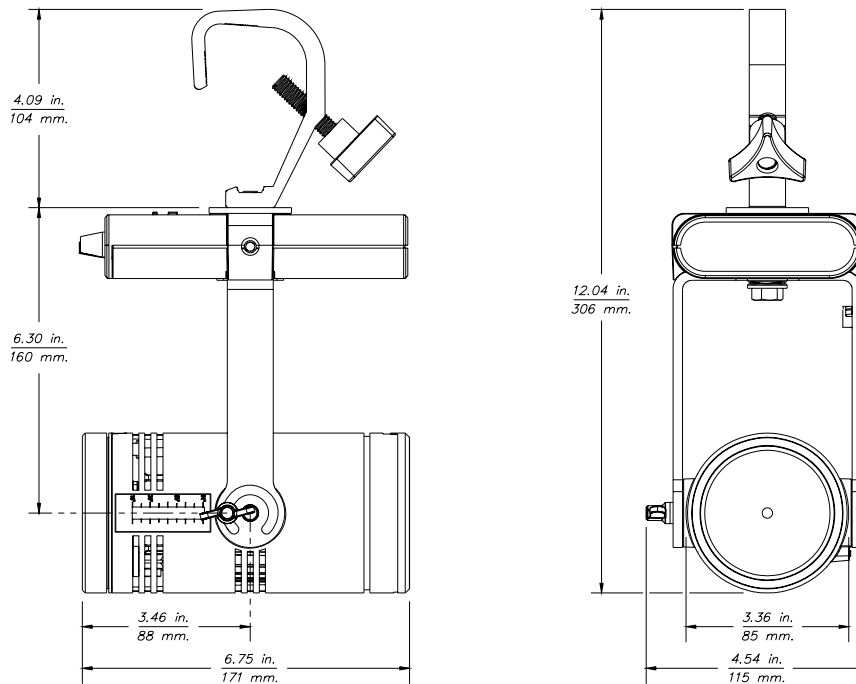
WLZ Weights

	WEIGHT		SHIPPING WEIGHT	
	lb	kg	lb	kg
Track Mount	4.25	1.93	6.25	2.83
Portable	5.62	2.55	7.41	3.36
Canopy	5.70	2.58	8.11	3.68

IRIDEON WLZ TRACK MOUNT

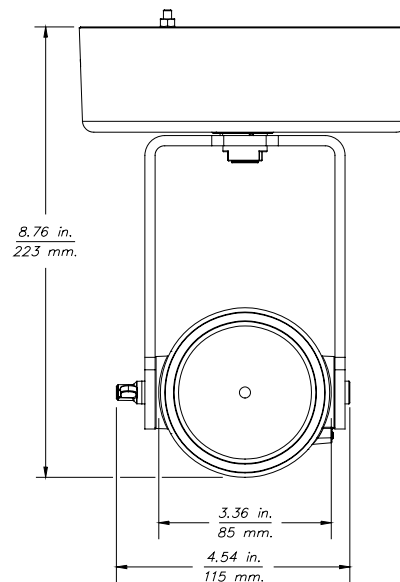
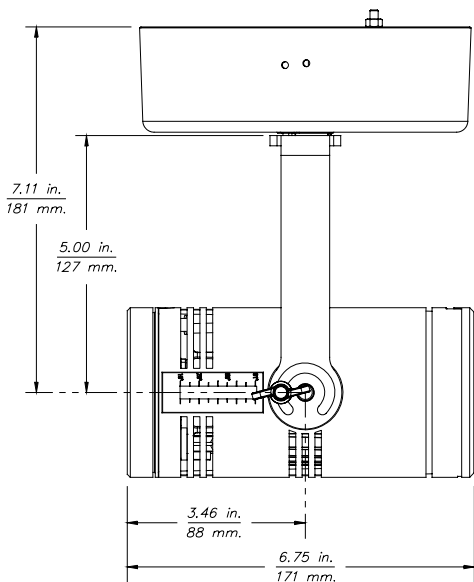


IRIDEON WLZ PORTABLE



PHYSICAL

IRIDEON WLZ CANOPY



Corporate Headquarters • Middleton, WI USA

Global Offices • London, UK • Rome, IT • Holzkirchen, DE • Paris, FR • Hong Kong • Singapore • New York, NY • Orlando, FL • Los Angeles, CA

Copyright©2019 ETC. All Rights Reserved. All product information and specifications subject to change. Rev C 01/19

Trademark and patent info: etconnect.com/VP

etconnect.com