



Source 4WRD™
Photometry Guide

White-Light LED Retrofit

TABLE OF CONTENTS

SOURCE 4WRD

Source 4WRD 5°	4
Source 4WRD 10°	4
Source 4WRD 14°	5
Source 4WRD 19°	5
Source 4WRD 19° EDLT	6
Source 4WRD 26°	6
Source 4WRD 26° EDLT	7
Source 4WRD 36°	7
Source 4WRD 36° EDLT	8
Source 4WRD 50°	8
Source 4WRD 50° EDLT	9
Source 4WRD 70°	9
Source 4WRD 90°	10
Source 4WRD 15-30° Zoom Narrow	10
Source 4WRD 15-30° Zoom Mid	11
Source 4WRD 15-30° Zoom Wide	11
Source 4WRD 25-50° Zoom Narrow	12
Source 4WRD 25-50° Zoom Mid	12
Source 4WRD 25-50° Zoom Wide	13

SOURCE 4WRD GALLERY (90CRI)

Source 4WRD Gallery (90CRI) 5°	14
Source 4WRD Gallery (90CRI) 10°	14
Source 4WRD Gallery (90CRI) 14°	15
Source 4WRD Gallery (90CRI) 19°	15
Source 4WRD Gallery (90CRI) 19° EDLT	16
Source 4WRD Gallery (90CRI) 26°	16
Source 4WRD Gallery (90CRI) 26° EDLT	17
Source 4WRD Gallery (90CRI) 36°	17
Source 4WRD Gallery (90CRI) 36° EDLT	18
Source 4WRD Gallery (90CRI) 50°	18
Source 4WRD Gallery (90CRI) 50° EDLT	19
Source 4WRD Gallery (90CRI) 70°	19
Source 4WRD Gallery (90CRI) 90°	20
Source 4WRD Gallery (90CRI) 15-30° Zoom Narrow	20
Source 4WRD Gallery (90CRI) 15-30° Zoom Mid	21
Source 4WRD Gallery (90CRI) 15-30° Zoom Wide	21
Source 4WRD Gallery (90CRI) 25-50° Zoom Narrow	22
Source 4WRD Gallery (90CRI) 25-50° Zoom Mid	22
Source 4WRD Gallery (90CRI) 25-50° Zoom Wide	23

SOURCE 4WRD DAYLIGHT GALLERY (90CRI)

Source 4WRD Daylight Gallery (90CRI) 5°	24
Source 4WRD Daylight Gallery (90CRI) 10°	24
Source 4WRD Daylight Gallery (90CRI) 14°	25
Source 4WRD Daylight Gallery (90CRI) 19°	25
Source 4WRD Daylight Gallery (90CRI) 19° EDLT	26
Source 4WRD Daylight Gallery (90CRI) 26°	26
Source 4WRD Daylight Gallery (90CRI) 26° EDLT	27
Source 4WRD Daylight Gallery (90CRI) 36°	27
Source 4WRD Daylight Gallery (90CRI) 36° EDLT	28
Source 4WRD Daylight Gallery (90CRI) 50°	28
Source 4WRD Daylight Gallery (90CRI) 50° EDLT	29
Source 4WRD Daylight Gallery (90CRI) 70°	29
Source 4WRD Daylight Gallery (90CRI) 90°	30
Source 4WRD Daylight Gallery (90CRI) 15-30° Zoom Narrow	30
Source 4WRD Daylight Gallery (90CRI) 15-30° Zoom Mid	31
Source 4WRD Daylight Gallery (90CRI) 15-30° Zoom Wide	31
Source 4WRD Daylight Gallery (90CRI) 25-50° Zoom Narrow	32
Source 4WRD Daylight Gallery (90CRI) 25-50° Zoom Mid	32
Source 4WRD Daylight Gallery (90CRI) 25-50° Zoom Wide	33

THROW DISTANCE MULTIPLIER

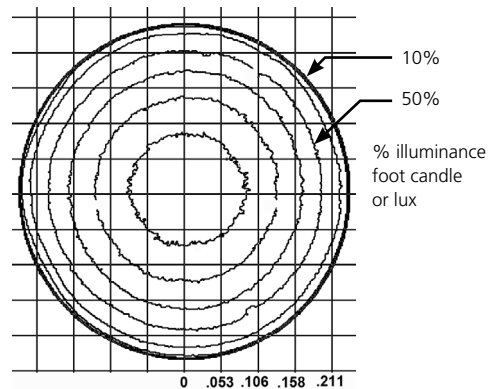
THROW DISTANCE MULTIPLIER (TDM)

To determine the distance from the center of the beam (Origin) to a certain illuminance level at a particular distance, multiply the desired throw distance by the TDM desired on the Iso-Illuminance diagram.

Throw Distance (TD) x Throw Distance Multiplier (TDM) = Distance from the Origin (DfO) (distance from the center of the beam)

Example: 25 feet (TD) x 0.047 (TDM) = 1.175 feet from center of beam (DfO)

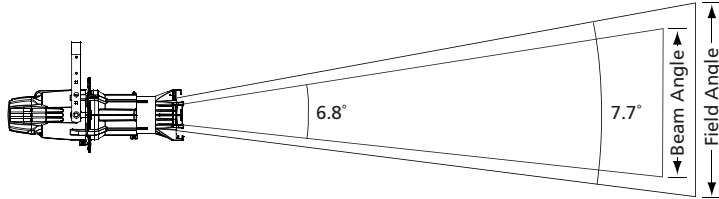
**Iso-Illuminance Diagram
(Flat Surface Distribution)**



Source 4WRD 5°

Mode	Degree	Candela	Field Lumens	Beam Lumens	Power Consumption	Efficacy (lpw)
Full Intensity	5°	722,000	6,577	6,135	156.0	42.2

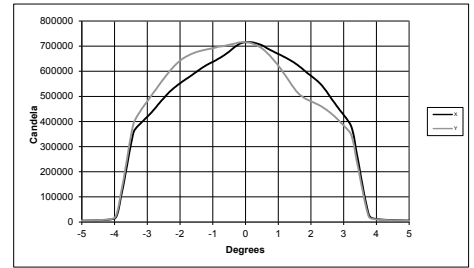
Metric conversions: For meters, multiply feet by 0.3048
For lux, multiply footcandles by 10.76



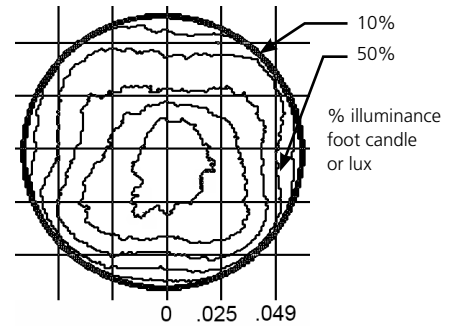
Throw Distance (d)	10ft	15ft	20ft	30ft	849.7ft
	3.0m	4.6m	6.1m	9.1m	259.0m
Field Diameter	1.3ft	2.0ft	2.7ft	4.0ft	-
	0.4m	0.6m	0.8m	1.2m	
Illuminance (fc)	7,220	3,209	1,805	802.2	1
Illuminance (lux)	77,715	34,540	19,429	8,635	10.76

For field diameter at any distance, multiply distance by 0.135
For beam diameter at any distance, multiply by 0.119

Candela Plot



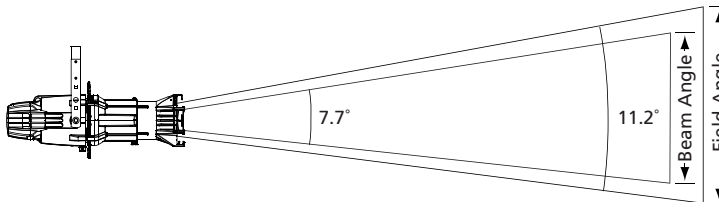
Iso-Illuminance Diagram (Flat Surface Distribution)



Source 4WRD 10°

Mode	Degree	Candela	Field Lumens	Beam Lumens	Power Consumption	Efficacy (lpw)
Full Intensity	10°	457,000	7,482	4,337	156	48.0

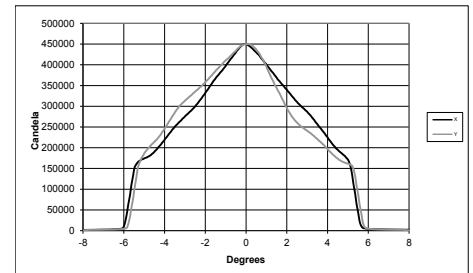
Metric Conversions: For meters, multiply feet by 0.3048
For lux, multiply footcandles by 10.76



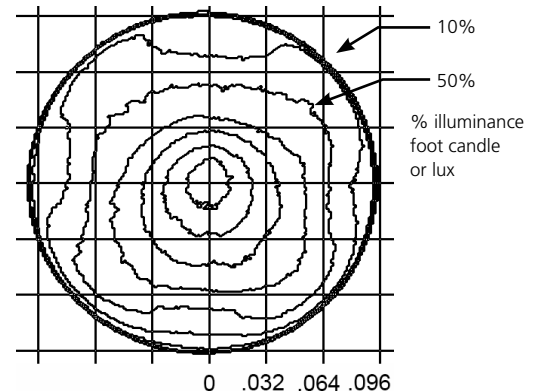
Throw Distance (d)	10ft	15ft	20ft	30ft	676.0ft
	3.0m	4.6m	6.1m	9.1m	206.1m
Field Diameter	2.0ft	2.9ft	3.9ft	5.9ft	-
	0.6m	0.9m	1.2m	1.8m	
Illuminance (fc)	4,570	2,031	1,143	507.8	1
Illuminance (lux)	49,191	21,863	12,298	5,466	10.76

For field diameter at any distance, multiply distance by 0.196
For beam diameter at any distance, multiply by 0.135

Candela Plot



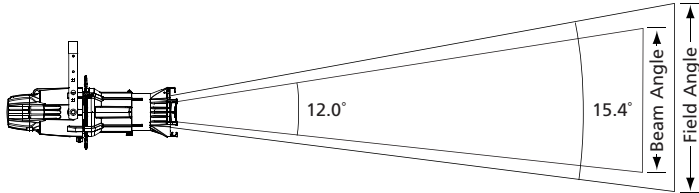
Iso-Illuminance Diagram (Flat Surface Distribution)



Source 4WRD 14°

Mode	Degree	Candela	Field Lumens	Beam Lumens	Power Consumption	Efficacy (lpw)
Full Intensity	14°	226,000	7,696	5,574	156	49.3

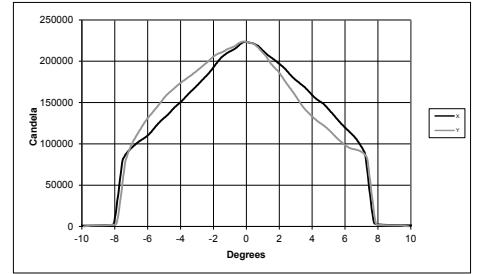
Metric conversions: For meters, multiply feet by 0.3048
For lux, multiply footcandles by 10.76



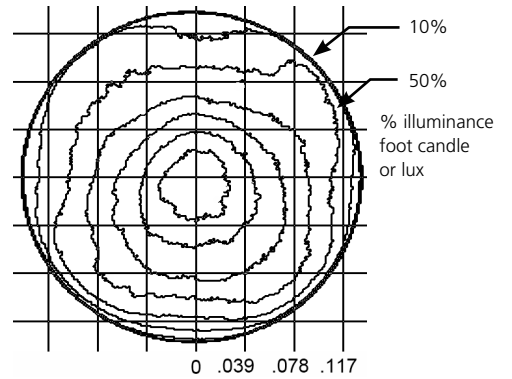
Throw Distance (d)	10ft	15ft	20ft	30ft	475.4ft
	3.0m	4.6m	6.1m	9.1m	144.9m
Field Diameter	2.7ft	4.1ft	5.4ft	8.1ft	-
	0.8m	1.2m	1.6m	2.5m	-
Illuminance (fc)	2,260	1,004	565	251.1	1
Illuminance (lux)	24,326	10,812	6,082	2,703	10.76

For field diameter at any distance, multiply distance by 0.270
For beam diameter at any distance, multiply by 0.210

Candela Plot



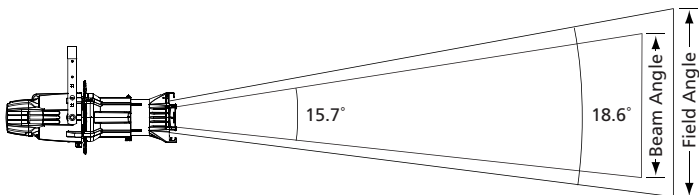
Iso-Illuminance Diagram (Flat Surface Distribution)



Source 4WRD 19°

Mode	Degree	Candela	Field Lumens	Beam Lumens	Power Consumption	Efficacy (lpw)
Full Intensity	19°	131,900	6,818	5,560	156	43.7

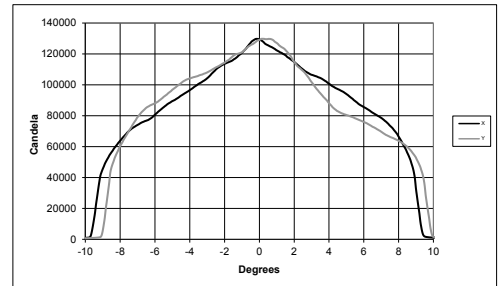
Metric Conversions: For meters, multiply feet by 0.3048
For lux, multiply footcandles by 10.76



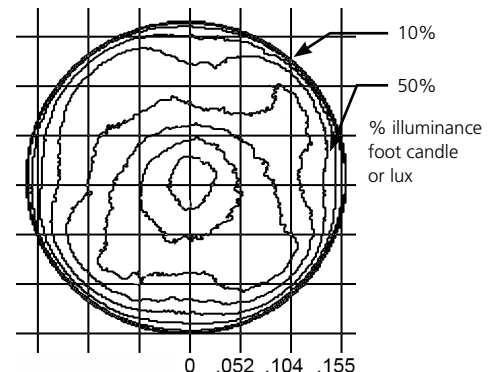
Throw Distance (d)	10ft	15ft	20ft	30ft	363.2ft
	3.0m	4.6m	6.1m	9.1m	110.7m
Field Diameter	3.3ft	4.9ft	6.6ft	9.8ft	-
	1.0m	1.5m	2.0m	3.0m	-
Illuminance (fc)	1,319	586	330	146.6	1
Illuminance (lux)	14,198	6,310	3,549	1,578	10.76

For field diameter at any distance, multiply distance by 0.328
For beam diameter at any distance, multiply by 0.276

Candela Plot



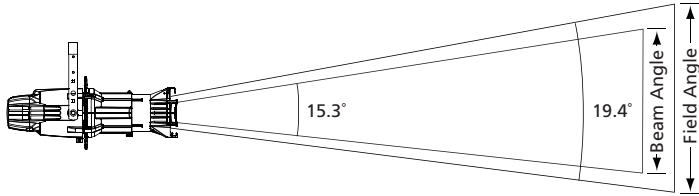
Iso-Illuminance Diagram (Flat Surface Distribution)



Source 4WRD 19° EDLT

Mode	Degree	Candela	Field Lumens	Beam Lumens	Power Consumption	Efficacy (lpw)
Full Intensity	19°	147,900	8,008	5,921	156	51.3

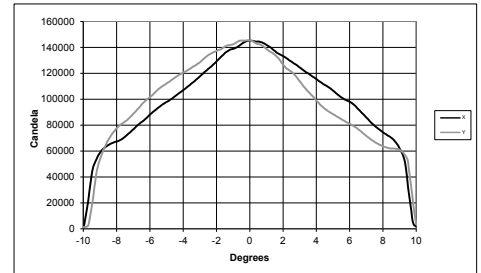
Metric conversions: For meters, multiply feet by 0.3048
For lux, multiply footcandles by 10.76



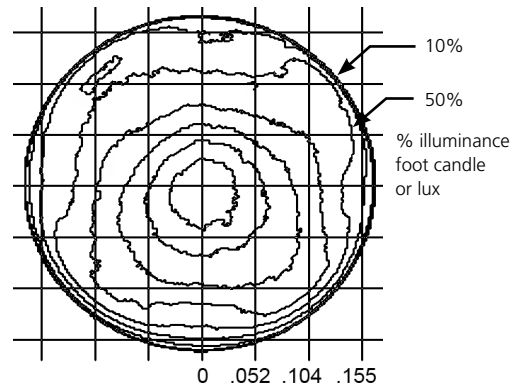
Throw Distance (d)	10ft	15ft	20ft	30ft	348.6ft
	3.0m	4.6m	6.1m	9.1m	117.2m
Field Diameter	3.4ft	5.1ft	6.8ft	10.3ft	-
	1.0m	1.6m	2.1m	3.1m	-
Illuminance (fc)	1,479	657	370	164.3	1
Illuminance (lux)	15,920	7,075	3,980	1,769	10.76

For field diameter at any distance, multiply distance by 0.342
For beam diameter at any distance, multiply by 0.269

Candela Plot



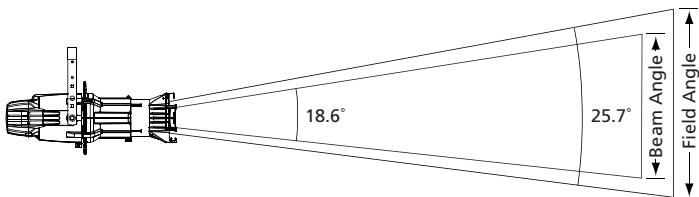
Iso-Illuminance Diagram (Flat Surface Distribution)



Source 4WRD 26°

Mode	Degree	Candela	Field Lumens	Beam Lumens	Power Consumption	Efficacy (lpw)
Full Intensity	26°	86,500	7,597	4,669	156	48.7

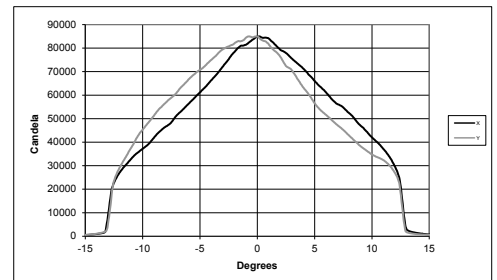
Metric Conversions: For meters, multiply feet by 0.3048
For lux, multiply footcandles by 10.76



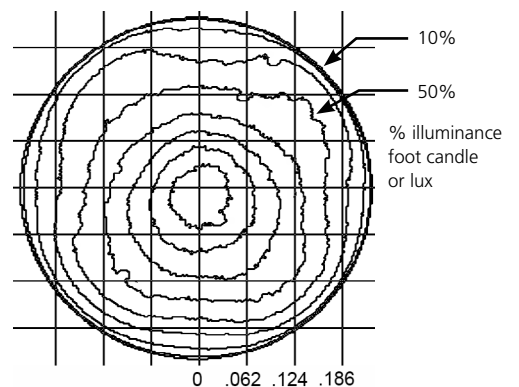
Throw Distance (d)	10ft	15ft	20ft	30ft	294.1ft
	3.0m	4.6m	6.1m	9.1m	89.6m
Field Diameter	4.6ft	6.8ft	9.1ft	13.7ft	-
	1.4m	2.1m	2.8m	4.2m	-
Illuminance (fc)	865	384	216	96.1	1
Illuminance (lux)	9,311	4,138	2,328	1,035	10.76

For field diameter at any distance, multiply distance by 0.456
For beam diameter at any distance, multiply by 0.328

Candela Plot



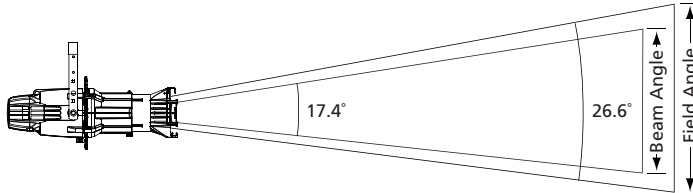
Iso-Illuminance Diagram (Flat Surface Distribution)



Source 4WRD 26° EDLT

Mode	Degree	Candela	Field Lumens	Beam Lumens	Power Consumption	Efficacy (lpw)
Full Intensity	26°	118,900	9,502	5,802	156	60.9

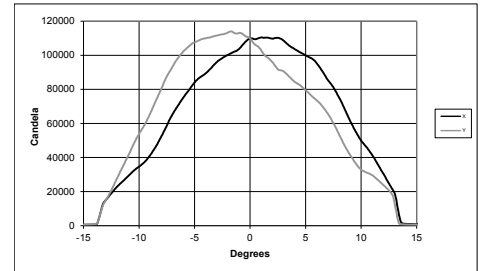
Metric conversions: For meters, multiply feet by 0.3048
For lux, multiply footcandles by 10.76



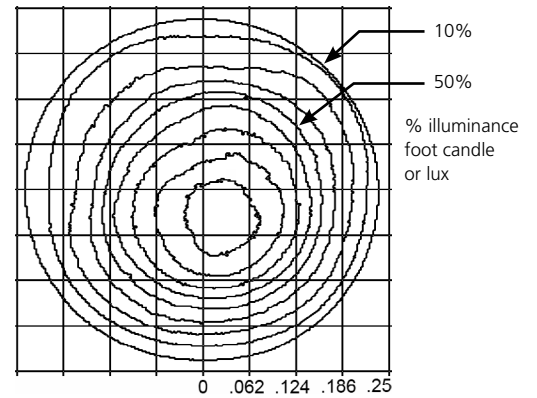
Throw Distance (d)	10ft	15ft	20ft	30ft	344.8ft
	3.0m	4.6m	6.1m	9.1m	105.1m
Field Diameter	4.7ft	7.1ft	9.5ft	14.2ft	-
	1.4m	2.2m	2.9m	4.3m	-
Illuminance (fc)	1,189	528	297	132.1	1
Illuminance (lux)	12,798	5,688	3,200	1,422	10.76

For field diameter at any distance, multiply distance by 0.473
For beam diameter at any distance, multiply by 0.306

Candela Plot



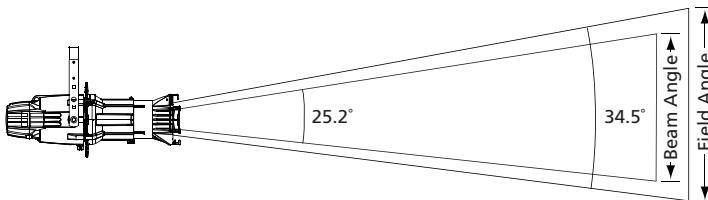
Iso-Illuminance Diagram (Flat Surface Distribution)



Source 4WRD 36°

Mode	Degree	Candela	Field Lumens	Beam Lumens	Power Consumption	Efficacy (lpw)
Full Intensity	36°	60,400	8,959	5,901	156	57.4

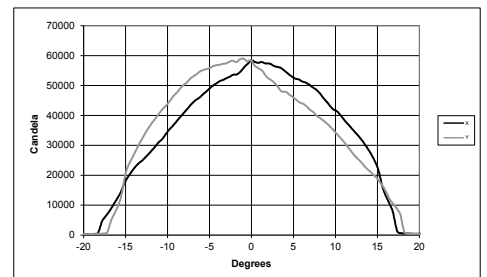
Metric Conversions: For meters, multiply feet by 0.3048
For lux, multiply footcandles by 10.76



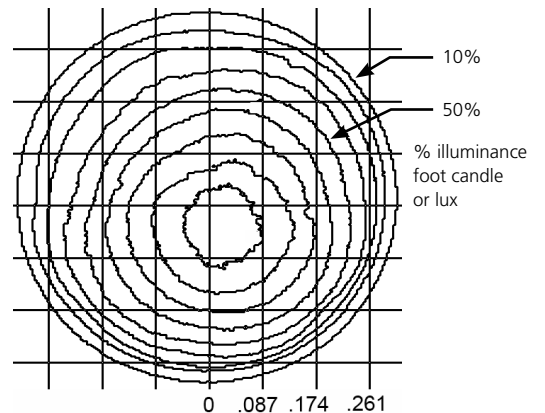
Throw Distance (d)	10ft	15ft	20ft	30ft	245.8ft
	3.0m	4.6m	6.1m	9.1m	74.9m
Field Diameter	6.2ft	9.3ft	12.4ft	18.6ft	-
	1.9m	2.8m	3.8m	5.7m	-
Illuminance (fc)	604	268	151	67.1	1
Illuminance (lux)	6,501	2,890	1,625	722	10.76

For field diameter at any distance, multiply distance by 0.621
For beam diameter at any distance, multiply by 0.447

Candela Plot



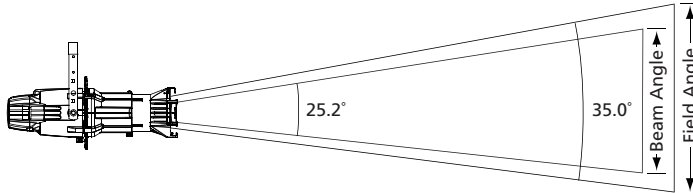
Iso-Illuminance Diagram (Flat Surface Distribution)



Source 4WRD 36° EDLT

Mode	Degree	Candela	Field Lumens	Beam Lumens	Power Consumption	Efficacy (lpw)
Full Intensity	36°	57,100	9,006	5,849	156	57.7

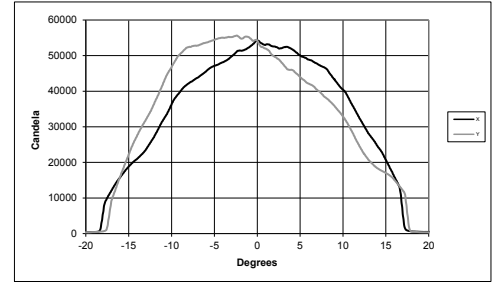
Metric conversions: For meters, multiply feet by 0.3048
For lux, multiply footcandles by 10.76



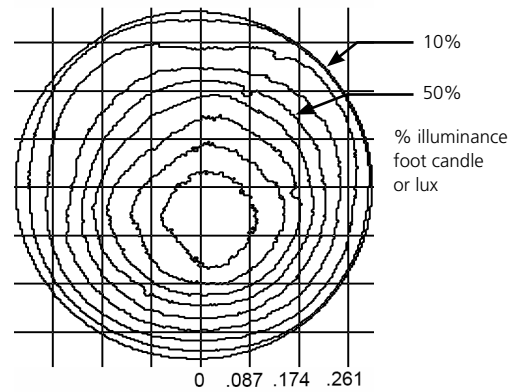
Throw Distance (d)	10ft	15ft	20ft	30ft	239.0ft
	3.0m	4.6m	6.1m	9.1m	728m
Field Diameter	6.3ft	9.5ft	12.6ft	18.9ft	-
	1.9m	2.9m	3.8m	5.8m	-
Illuminance (fc)	571	254	143	63.4	1
Illuminance (lux)	6,146	2,732	1,537	683	10.76

For field diameter at any distance, multiply distance by 0.631
For beam diameter at any distance, multiply by 0.447

Candela Plot



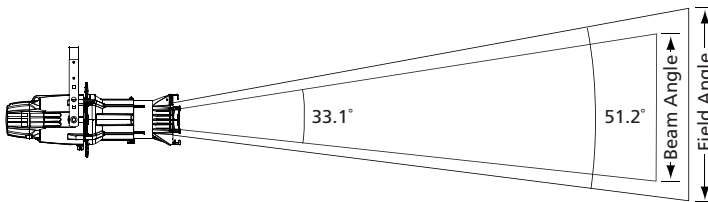
Iso-Illuminance Diagram (Flat Surface Distribution)



Source 4WRD 50°

Mode	Degree	Candela	Field Lumens	Beam Lumens	Power Consumption	Efficacy (lpw)
Full Intensity	50°	29,000	8,652	4,736	156	55.5

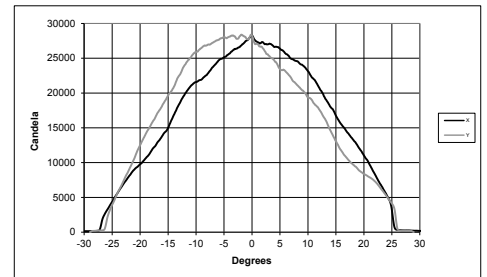
Metric Conversions: For meters, multiply feet by 0.3048
For lux, multiply footcandles by 10.76



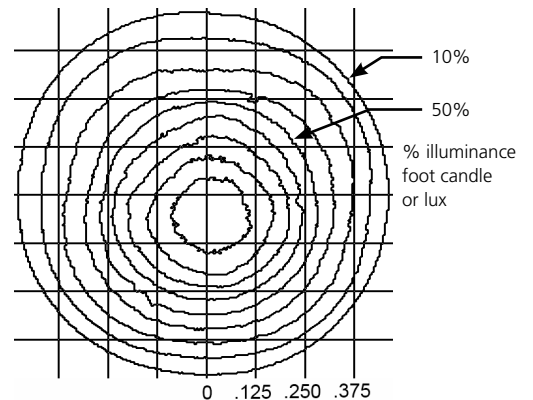
Throw Distance (d)	10ft	15ft	20ft	30ft	170.3ft
	3.0m	4.6m	6.1m	9.1m	51.9m
Field Diameter	9.6ft	14.4ft	19.2ft	28.7ft	-
	2.9m	4.4m	5.8m	8.8m	-
Illuminance (fc)	290	129	73	32.2	1
Illuminance (lux)	3,122	1,387	780	348	10.76

For field diameter at any distance, multiply distance by 0.958
For beam diameter at any distance, multiply by 0.594

Candela Plot



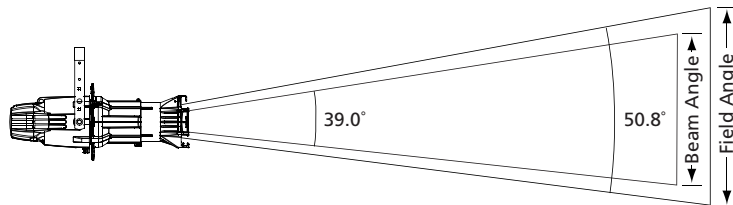
Iso-Illuminance Diagram (Flat Surface Distribution)



Source 4WRD 50° EDLT

Mode	Degree	Candela	Field Lumens	Beam Lumens	Power Consumption	Efficacy (lpw)
Full Intensity	50°	23,460	8,446	5,313	156	54.1

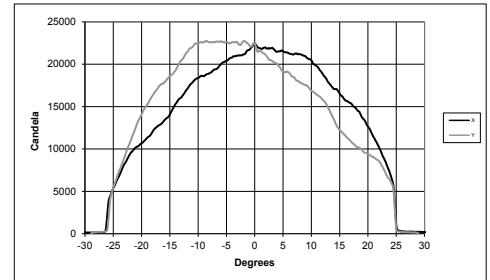
Metric conversions: For meters, multiply feet by 0.3048
 For lux, multiply footcandles by 10.76



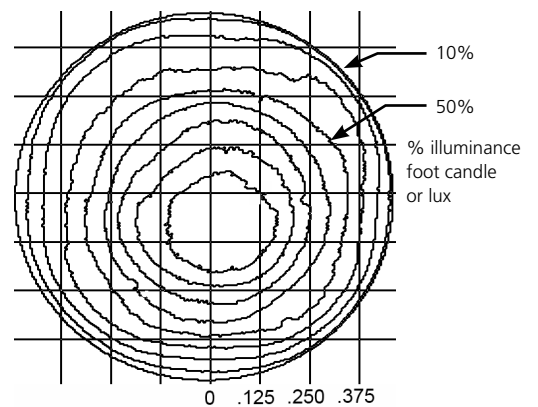
Throw Distance (d)	10ft	15ft	20ft	30ft	153.2ft
	3.0m	4.6m	6.1m	9.1m	46.7m
Field Diameter	9.5ft	14.2ft	19.0ft	28.5ft	-
	2.9m	4.3m	5.8m	8.7m	-
Illuminance (fc)	235	104	59	26.1	1
Illuminance (lux)	2,525	1,122	631	281	10.76

For field diameter at any distance, multiply distance by 0.950
 For beam diameter at any distance, multiply by 0.708

Candela Plot



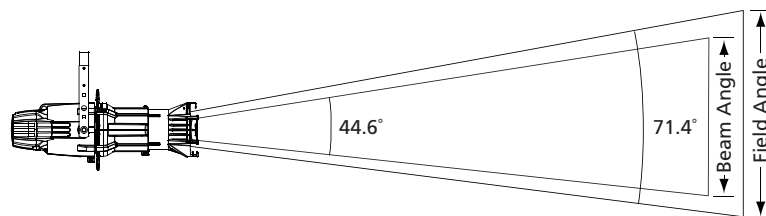
Iso-Illuminance Diagram (Flat Surface Distribution)



Source 4WRD 70°

Mode	Degree	Candela	Field Lumens	Beam Lumens	Power Consumption	Efficacy (lpw)
Full Intensity	70°	17,790	9,909	4,891	156	63.5

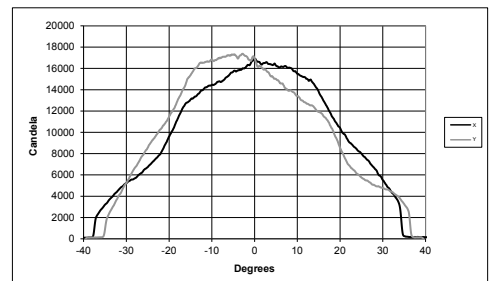
Metric conversions: For meters, multiply feet by 0.3048
 For lux, multiply footcandles by 10.76



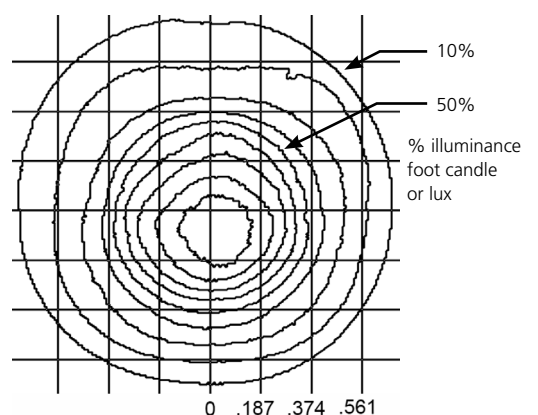
Throw Distance (d)	10ft	15ft	20ft	30ft	133.4ft
	3.0m	4.6m	6.1m	9.1m	40.7m
Field Diameter	14.4ft	21.6ft	28.7ft	43.1ft	-
	4.4m	6.6m	8.8m	13.1m	-
Illuminance (fc)	178	79	44	19.8	1
Illuminance (lux)	1,915	851	479	213	10.76

For field diameter at any distance, multiply distance by 1.437
 For beam diameter at any distance, multiply by 0.820

Candela Plot



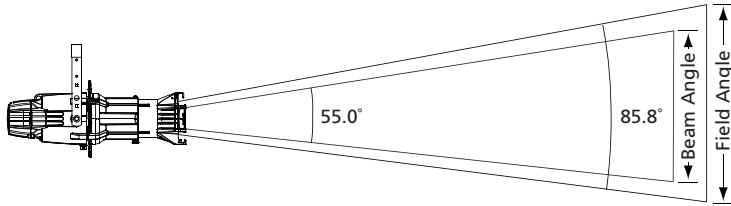
Iso-Illuminance Diagram (Flat Surface Distribution)



Source 4WRD 90°

Mode	Degree	Candela	Field Lumens	Beam Lumens	Power Consumption	Efficacy (lpw)
Full Intensity	90°	12,800	9,843	4,754	156	63.1

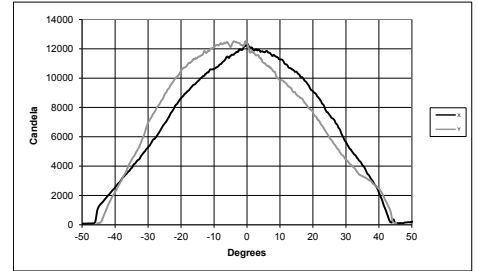
Metric conversions: For meters, multiply feet by 0.3048
For lux, multiply footcandles by 10.76



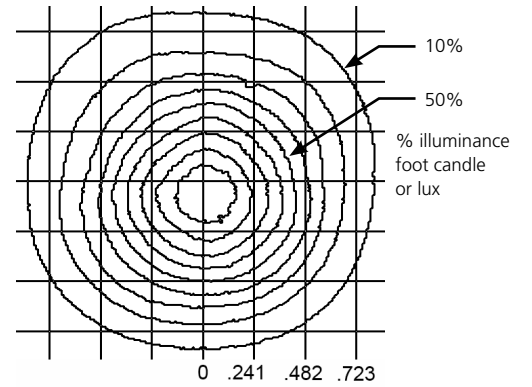
Throw Distance (d)	10ft	15ft	20ft	30ft	113.1ft
	3.0m	4.6m	6.1m	9.1m	34.5m
Field Diameter	18.6ft	27.9ft	37.2ft	55.8ft	-
	5.7m	8.5m	11.3m	17.0m	-
Illuminance (fc)	128	57	32	14.2	1
Illuminance (lux)	1,378	612	344	153	10.76

For field diameter at any distance, multiply distance by 1.859
For beam diameter at any distance, multiply by 1.041

Candela Plot



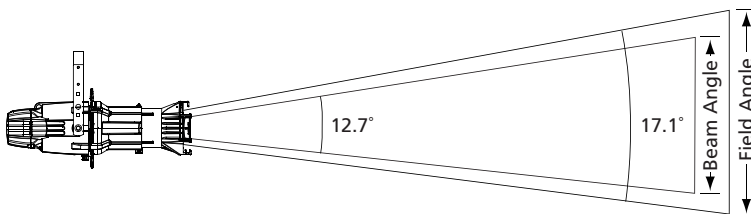
Iso-Illuminance Diagram (Flat Surface Distribution)



Source 4WRD 15-30° Zoom Narrow

Mode	Degree	Candela	Field Lumens	Beam Lumens	Power Consumption	Efficacy (lpw)
Full Intensity	15°	189,700	7,625	5,334	156	48.9

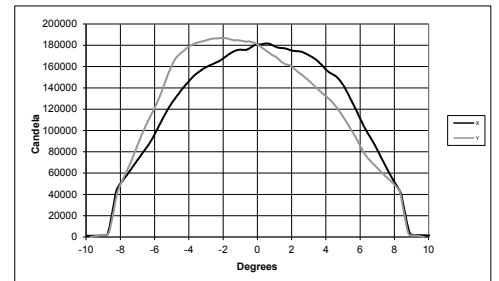
Metric conversions: For meters, multiply feet by 0.3048
For lux, multiply footcandles by 10.76



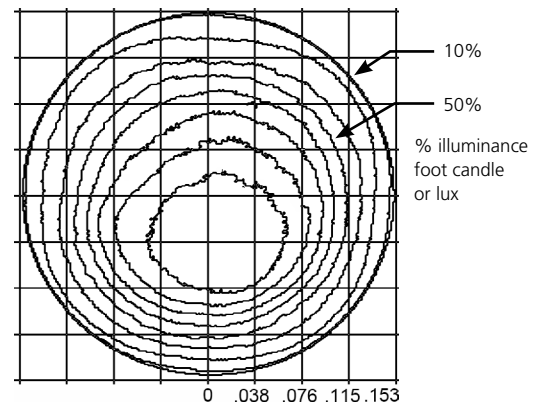
Throw Distance (d)	10ft	15ft	20ft	30ft	435.5ft
	3.0m	4.6m	6.1m	9.1m	132.8m
Field Diameter	3.0ft	4.5ft	6.0ft	9.0ft	-
	0.9m	1.4m	1.8m	2.7m	-
Illuminance (fc)	1,897	843	474	210.8	1
Illuminance (lux)	20,419	9,075	5,105	2,269	10.76

For field diameter at any distance, multiply distance by 0.301
For beam diameter at any distance, multiply by 0.223

Candela Plot



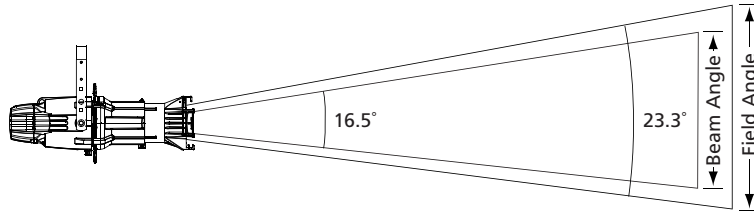
Iso-Illuminance Diagram (Flat Surface Distribution)



Source 4WRD 15-30° Zoom Mid

Mode	Degree	Candela	Field Lumens	Beam Lumens	Power Consumption	Efficacy (lpw)
Full Intensity	23°	110,900	7,885	4,921	156	50.5

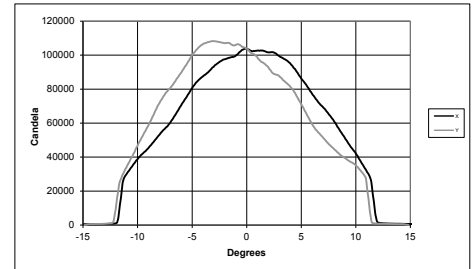
Metric conversions: For meters, multiply feet by 0.3048
For lux, multiply footcandles by 10.76



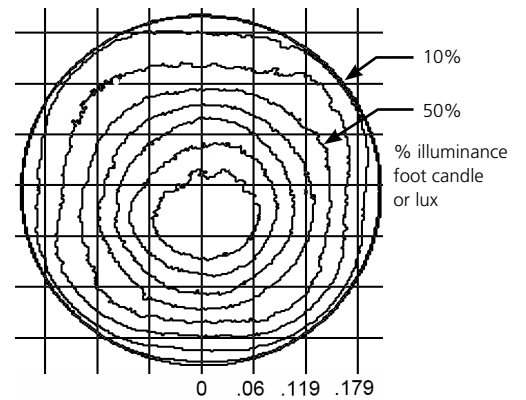
Throw Distance (d)	10ft	15ft	20ft	30ft	333.0ft
	3.0m	4.6m	6.1m	9.1m	101.5m
Field Diameter	4.1ft	6.2ft	8.2ft	12.4ft	-
	1.3m	1.9m	2.5m	3.8m	-
Illuminance (fc)	1,109	493	277	123.2	1
Illuminance (lux)	11,937	5,305	2,984	1,326	10.76

For field diameter at any distance, multiply distance by 0.412
For beam diameter at any distance, multiply by 0.290

Candela Plot



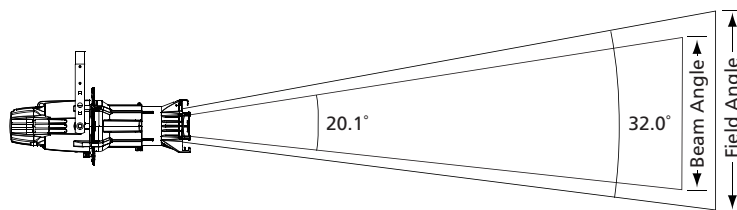
Iso-Illuminance Diagram (Flat Surface Distribution)



Source 4WRD 15-30° Zoom Wide

Mode	Degree	Candela	Field Lumens	Beam Lumens	Power Consumption	Efficacy (lpw)
Full Intensity	30°	62,100	7,413	3,749	156	47.5

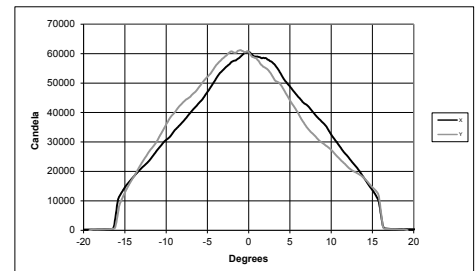
Metric conversions: For meters, multiply feet by 0.3048
For lux, multiply footcandles by 10.76



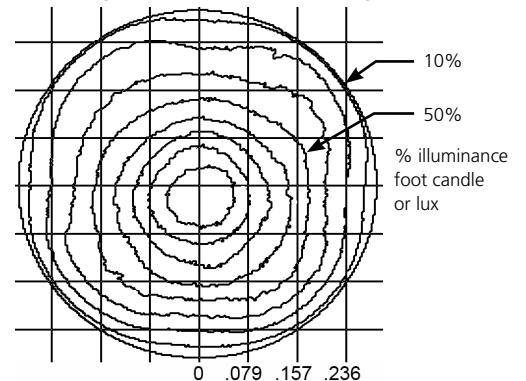
Throw Distance (d)	10ft	15ft	20ft	30ft	249.2ft
	3.0m	4.6m	6.1m	9.1m	76.0m
Field Diameter	5.7ft	8.6ft	11.5ft	17.2ft	-
	1.7m	2.6m	3.5m	5.2m	-
Illuminance (fc)	621	276	155	69.0	1
Illuminance (lux)	6,684	2,971	1,671	743	10.76

For field diameter at any distance, multiply distance by 0.573
For beam diameter at any distance, multiply by 0.354

Candela Plot



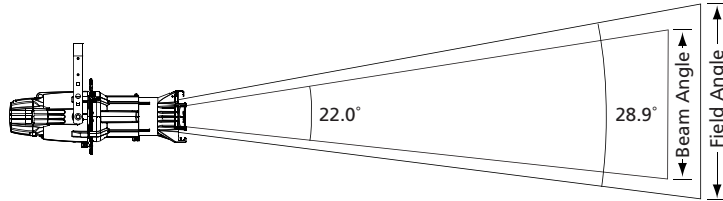
Iso-Illuminance Diagram (Flat Surface Distribution)



Source 4WRD 25-50° Zoom Narrow

Mode	Degree	Candela	Field Lumens	Beam Lumens	Power Consumption	Efficacy (lpw)
Full Intensity	25°	85,100	9,607	6,906	156	61.6

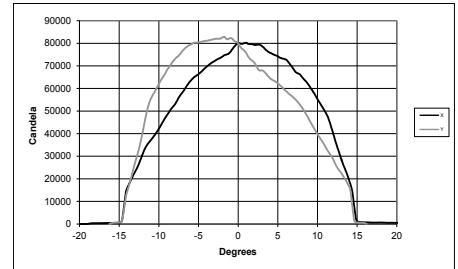
Metric conversions: For meters, multiply feet by 0.3048
For lux, multiply footcandles by 10.76



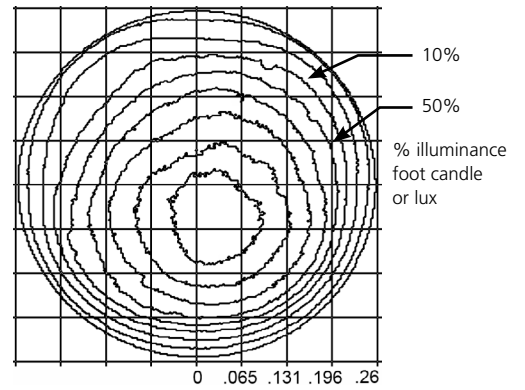
Throw Distance (d)	10ft	15ft	20ft	30ft	291.7ft
	3.0m	4.6m	6.1m	9.1m	88.9m
Field Diameter	5.2ft	7.7ft	10.3ft	15.5ft	-
	1.6m	2.4m	3.1m	4.7m	-
Illuminance (fc)	851	378	213	94.6	1
Illuminance (lux)	9,160	4,071	2,290	1,018	10.76

For field diameter at any distance, multiply distance by 0.515
For beam diameter at any distance, multiply by 0.389

Candela Plot



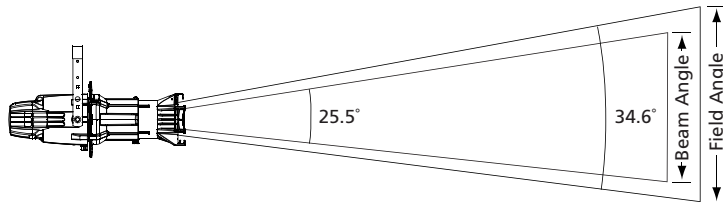
Iso-Illuminance Diagram (Flat Surface Distribution)



Source 4WRD 25-50° Zoom Mid

Mode	Degree	Candela	Field Lumens	Beam Lumens	Power Consumption	Efficacy (lpw)
Full Intensity	37°	62,600	9,832	6,574	156	63.0

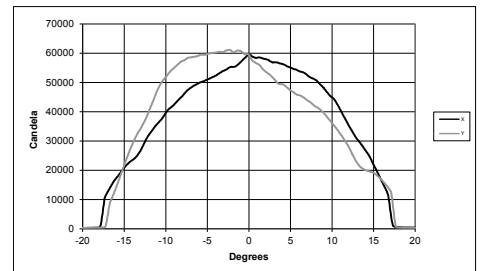
Metric conversions: For meters, multiply feet by 0.3048
For lux, multiply footcandles by 10.76



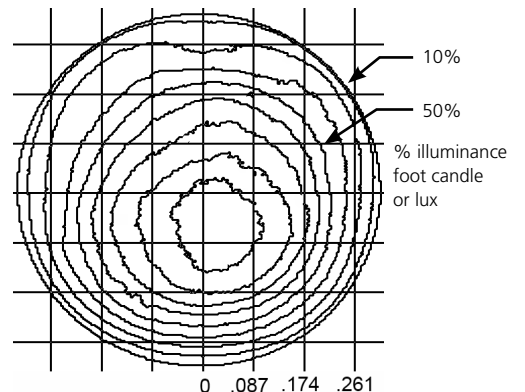
Throw Distance (d)	10ft	15ft	20ft	30ft	250.2ft
	3.0m	4.6m	6.1m	9.1m	76.3m
Field Diameter	6.2ft	9.3ft	12.5ft	18.7ft	-
	1.9m	2.8m	3.8m	5.7m	-
Illuminance (fc)	626	278	157	69.6	1
Illuminance (lux)	6,738	2,995	1,685	749	10.76

For field diameter at any distance, multiply distance by 0.623
For beam diameter at any distance, multiply by 0.453

Candela Plot



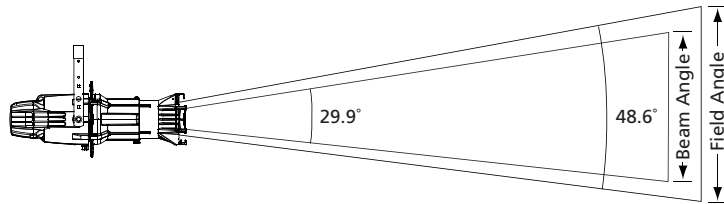
Iso-Illuminance Diagram (Flat Surface Distribution)



Source 4WRD 25-50° Zoom Wide

Mode	Degree	Candela	Field Lumens	Beam Lumens	Power Consumption	Efficacy (lpw)
Full Intensity	50°	36,900	9,437	4,870	156	60.5

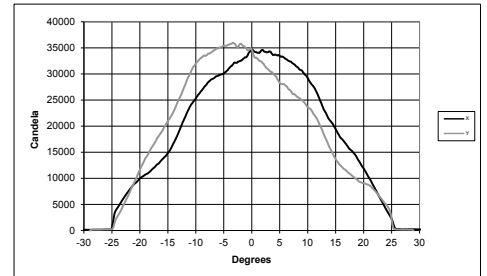
Metric conversions: For meters, multiply feet by 0.3048
 For lux, multiply footcandles by 10.76



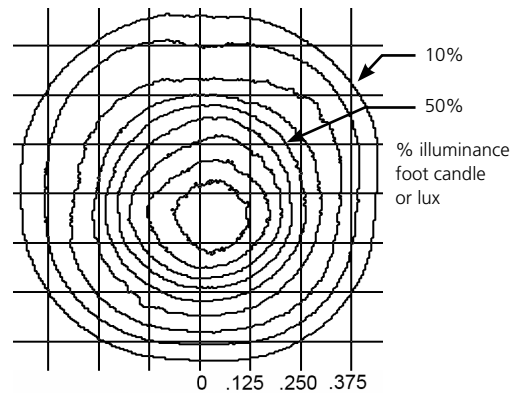
Throw Distance (d)	10ft	15ft	20ft	30ft	192.1ft
	3.0m	4.6m	6.1m	9.1m	58.6m
Field Diameter	9.0ft	13.5ft	18.1ft	27.1ft	-
	2.8m	4.1m	5.5m	8.3m	-
Illuminance (fc)	369	164	92	41.0	1
Illuminance (lux)	3,972	1,765	993	441	10.76

For field diameter at any distance, multiply distance by 0.903
 For beam diameter at any distance, multiply by 0.534

Candela Plot



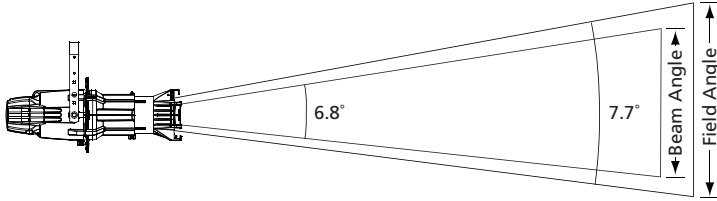
Iso-Illuminance Diagram (Flat Surface Distribution)



Source 4WRD Gallery (90 CRI) 5°

Mode	Degree	Candela	Field Lumens	Beam Lumens	Power Consumption	Efficacy (lpw)
Full Intensity	5°	542,084	4,938	4,606	155	31.9

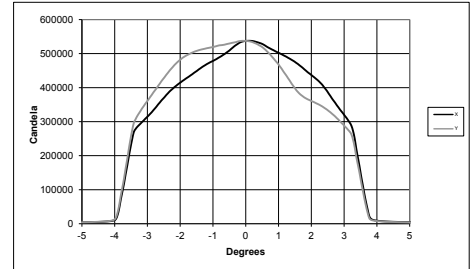
Metric conversions: For meters, multiply feet by 0.3048
For lux, multiply footcandles by 10.76



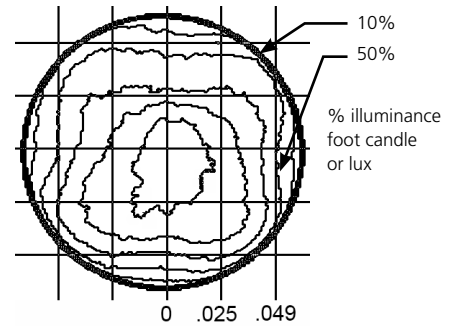
Throw Distance (d)	10ft	15ft	20ft	30ft	736.2ft
	3.0m	4.6m	6.1m	9.1m	224.4m
Field Diameter	1.3ft	2.0ft	2.7ft	4.0ft	-
	0.4m	0.6m	0.8m	1.2m	-
Illuminance (fc)	5,420	2,409	1,355	602	1
Illuminance (lux)	58,340	25,929	14,585	6,482	10.76

For field diameter at any distance, multiply distance by 0.135
For beam diameter at any distance, multiply by 0.119

Candela Plot



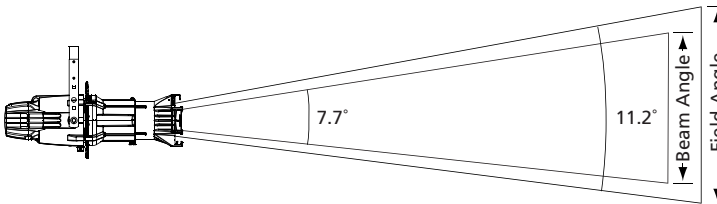
Iso-Illuminance Diagram (Flat Surface Distribution)



Source 4WRD Gallery (90 CRI) 10°

Mode	Degree	Candela	Field Lumens	Beam Lumens	Power Consumption	Efficacy (lpw)
Full Intensity	10°	343,317	5,617	3,256	155	36.2

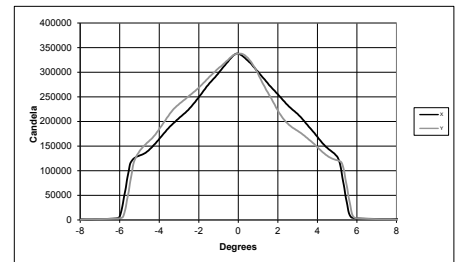
Metric Conversions: For meters, multiply feet by 0.3048
For lux, multiply footcandles by 10.76



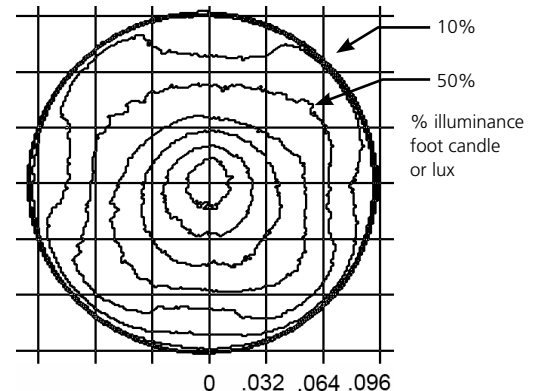
Throw Distance (d)	10ft	15ft	20ft	30ft	585.7ft
	3.0m	4.6m	6.1m	9.1m	178.5m
Field Diameter	2.0ft	2.9ft	3.9ft	5.9ft	-
	0.6m	0.9m	1.2m	1.8m	-
Illuminance (fc)	3,431	1,525	858	.81	1
Illuminance (lux)	36,931	16,414	9,233	4,103	10.76

For field diameter at any distance, multiply distance by 0.196
For beam diameter at any distance, multiply by 0.135

Candela Plot



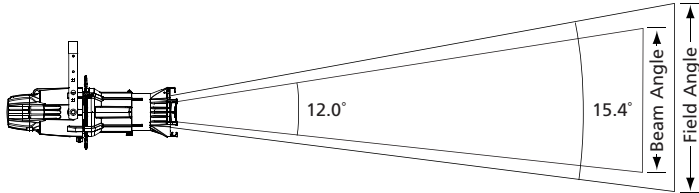
Iso-Illuminance Diagram (Flat Surface Distribution)



Source 4WRD Gallery (90 CRI) 14°

Mode	Degree	Candela	Field Lumens	Beam Lumens	Power Consumption	Efficacy (lpw)
Full Intensity	14°	169,766	5,778	4,185	155	37.3

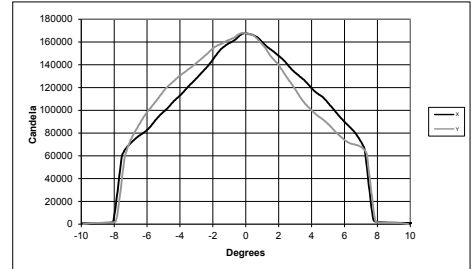
Metric conversions: For meters, multiply feet by 0.3048
For lux, multiply footcandles by 10.76



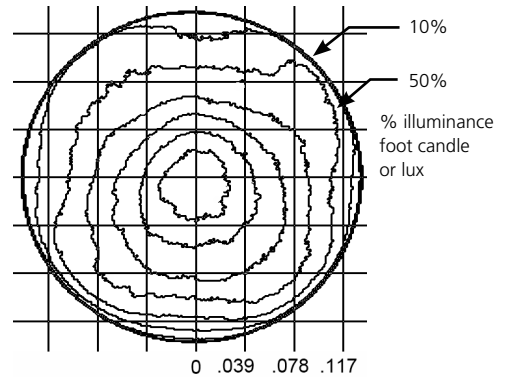
Throw Distance (d)	10ft	15ft	20ft	30ft	411.9ft
	3.0m	4.6m	6.1m	9.1m	125.6m
Field Diameter	2.7ft	4.1ft	5.4ft	8.1ft	-
	0.8m	1.2m	1.6m	2.5m	-
Illuminance (fc)	1,697	754	424	189	1
Illuminance (lux)	18,266	8,118	4,567	2,030	10.76

For field diameter at any distance, multiply distance by 0.270
For beam diameter at any distance, multiply by 0.210

Candela Plot



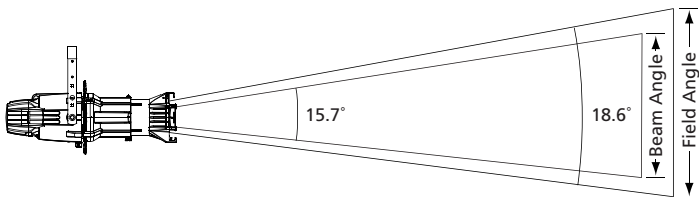
Iso-Illuminance Diagram (Flat Surface Distribution)



Source 4WRD Gallery (90 CRI) 19°

Mode	Degree	Candela	Field Lumens	Beam Lumens	Power Consumption	Efficacy (lpw)
Full Intensity	19°	99,020	5,119	4,174	155	33

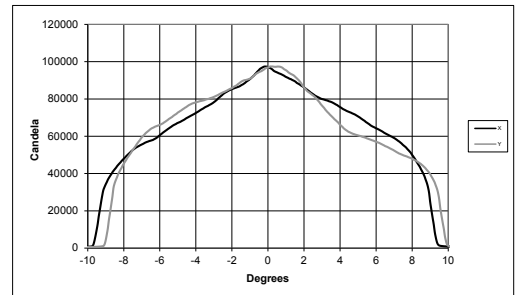
Metric Conversions: For meters, multiply feet by 0.3048
For lux, multiply footcandles by 10.76



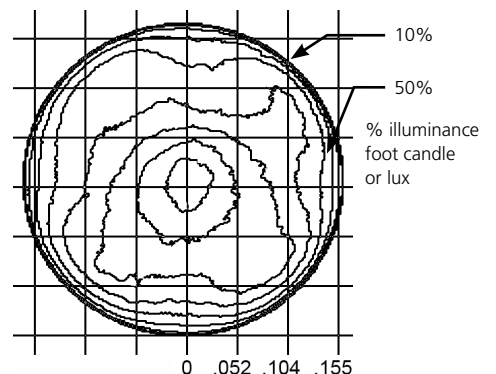
Throw Distance (d)	10ft	15ft	20ft	30ft	314.7ft
	3.0m	4.6m	6.1m	9.1m	95.9m
Field Diameter	3.3ft	4.9ft	6.6ft	9.8ft	-
	1.0m	1.5m	2.0m	3.0m	-
Illuminance (fc)	990	440	248	110	1
Illuminance (lux)	10,659	4,738	2,665	1,184	10.76

For field diameter at any distance, multiply distance by 0.328
For beam diameter at any distance, multiply by 0.276

Candela Plot



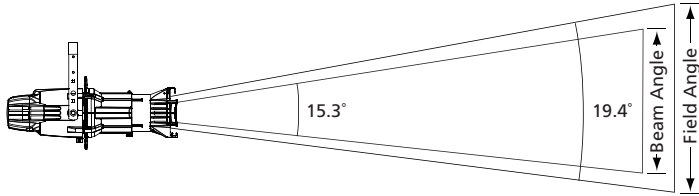
Iso-Illuminance Diagram (Flat Surface Distribution)



Source 4WRD Gallery (90 CRI) 19° EDLT

Mode	Degree	Candela	Field Lumens	Beam Lumens	Power Consumption	Efficacy (lpw)
Full Intensity	19°	111,076	6,012	4,445	155	38.8

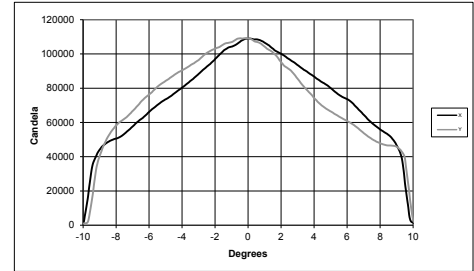
Metric conversions: For meters, multiply feet by 0.3048
For lux, multiply footcandles by 10.76



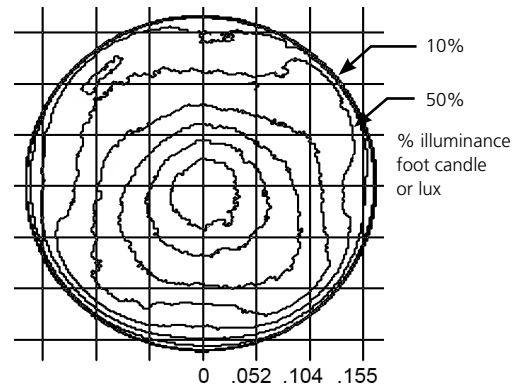
Throw Distance (d)	10ft	15ft	20ft	30ft	333.2ft
	3.0m	4.6m	6.1m	9.1m	101.5m
Field Diameter	3.4ft	5.1ft	6.8ft	10.3ft	-
	1.0m	1.6m	2.1m	3.1m	
Illuminance (fc)	1,110	493	278	123	1
Illuminance (lux)	11,948	5,310	2,987	1,328	10.76

For field diameter at any distance, multiply distance by 0.342
For beam diameter at any distance, multiply by 0.269

Candela Plot



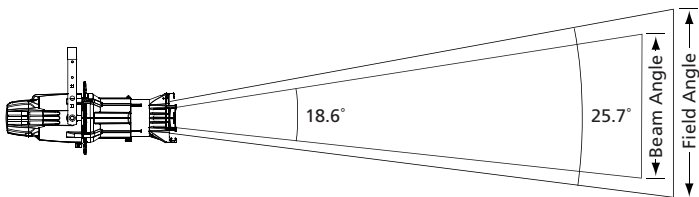
Iso-Illuminance Diagram (Flat Surface Distribution)



Source 4WRD Gallery (90 CRI) 26°

Mode	Degree	Candela	Field Lumens	Beam Lumens	Power Consumption	Efficacy (lpw)
Full Intensity	26°	64,936	5,704	3,505	155	36.8

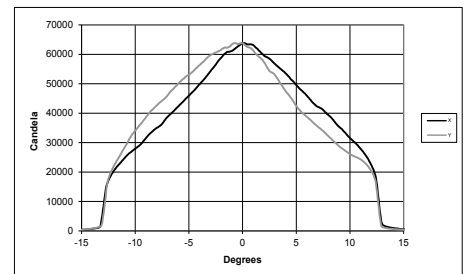
Metric Conversions: For meters, multiply feet by 0.3048
For lux, multiply footcandles by 10.76



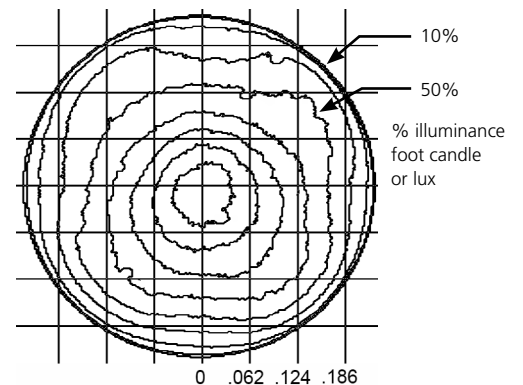
Throw Distance (d)	10ft	15ft	20ft	30ft	254.8ft
	3.0m	4.6m	6.1m	9.1m	77.7m
Field Diameter	4.6ft	6.8ft	9.1ft	13.7ft	-
	1.4m	2.1m	2.8m	4.2m	
Illuminance (fc)	649	289	162	72	1
Illuminance (lux)	6,990	3,107	1,748	777	10.76

For field diameter at any distance, multiply distance by 0.456
For beam diameter at any distance, multiply by 0.328

Candela Plot



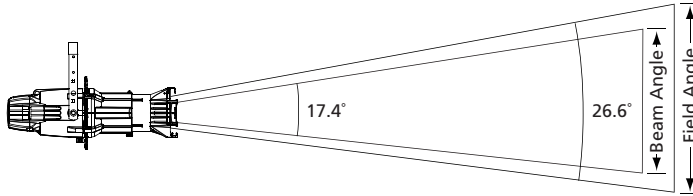
Iso-Illuminance Diagram (Flat Surface Distribution)



Source 4WRD Gallery (90 CRI) 26° EDLT

Mode	Degree	Candela	Field Lumens	Beam Lumens	Power Consumption	Efficacy (lpw)
Full Intensity	26°	89,290	7,134	4,429	155	46

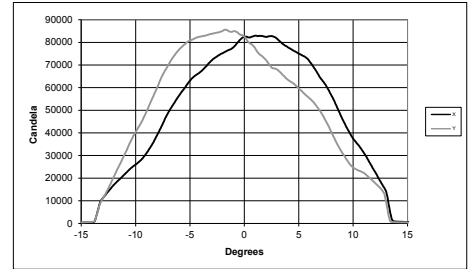
Metric conversions: For meters, multiply feet by 0.3048
For lux, multiply footcandles by 10.76



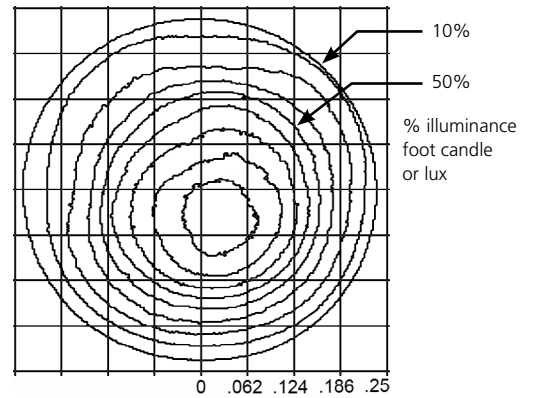
Throw Distance (d)	10ft	15ft	20ft	30ft	298.8ft
	3.0m	4.6m	6.1m	9.1m	91.1m
Field Diameter	4.7ft	7.1ft	9.5ft	14.2ft	-
	1.4m	2.2m	2.9m	4.3m	-
Illuminance (fc)	893	397	223	99	1
Illuminance (lux)	9,609	4,271	2,402	1,068	10.76

For field diameter at any distance, multiply distance by 0.473
For beam diameter at any distance, multiply by 0.306

Candela Plot



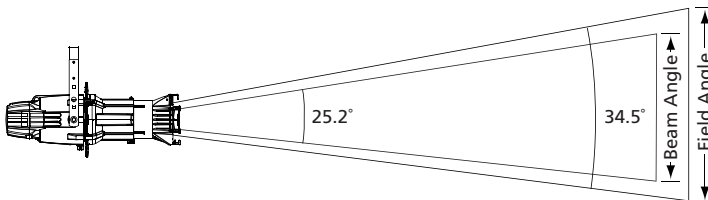
Iso-Illuminance Diagram (Flat Surface Distribution)



Source 4WRD Gallery (90 CRI) 36°

Mode	Degree	Candela	Field Lumens	Beam Lumens	Power Consumption	Efficacy (lpw)
Full Intensity	36°	45,366	6,726	4,430	155	43.40

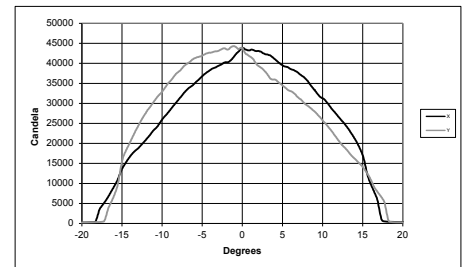
Metric Conversions: For meters, multiply feet by 0.3048
For lux, multiply footcandles by 10.76



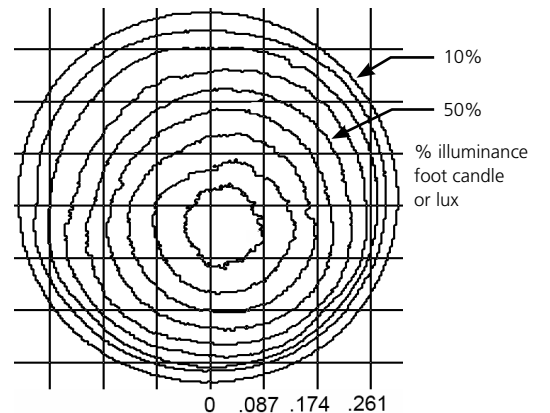
Throw Distance (d)	10ft	15ft	20ft	30ft	213.0ft
	3.0m	4.6m	6.1m	9.1m	64.9m
Field Diameter	6.2ft	9.3ft	12.4ft	18.6ft	-
	1.9m	2.8m	3.8m	5.7m	-
Illuminance (fc)	454	202	113	50	1
Illuminance (lux)	4,881	2,170	1,220	542	10.76

For field diameter at any distance, multiply distance by 0.621
For beam diameter at any distance, multiply by 0.447

Candela Plot



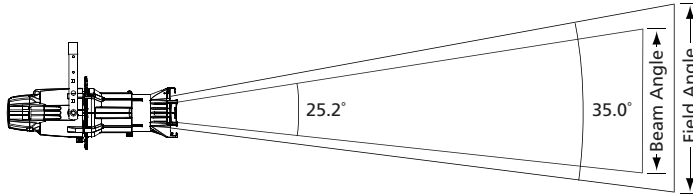
Iso-Illuminance Diagram (Flat Surface Distribution)



Source 4WRD Gallery (90 CRI) 36° EDLT

Mode	Degree	Candela	Field Lumens	Beam Lumens	Power Consumption	Efficacy (lpw)
Full Intensity	36°	42,874	6,762	4,391	155	43.6

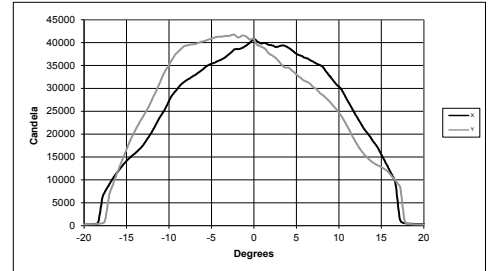
Metric conversions: For meters, multiply feet by 0.3048
For lux, multiply footcandles by 10.76



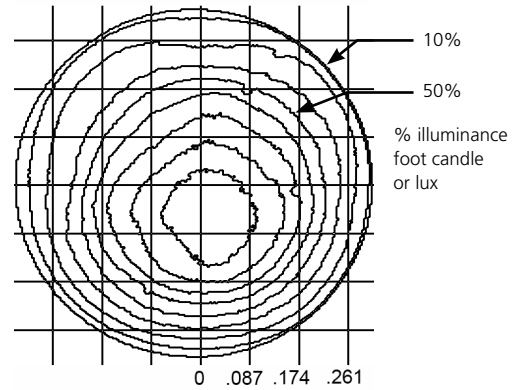
Throw Distance (d)	10ft	15ft	20ft	30ft	207.1ft
	3.0m	4.6m	6.1m	9.1m	63.1m
Field Diameter	6.3ft	9.5ft	12.6ft	18.9ft	-
	1.9m	2.9m	3.8m	5.8m	-
Illuminance (fc)	429	191	107	48	1
Illuminance (lux)	4,614	2,051	1,154	513	10.76

For field diameter at any distance, multiply distance by 0.631
For beam diameter at any distance, multiply by 0.447

Candela Plot



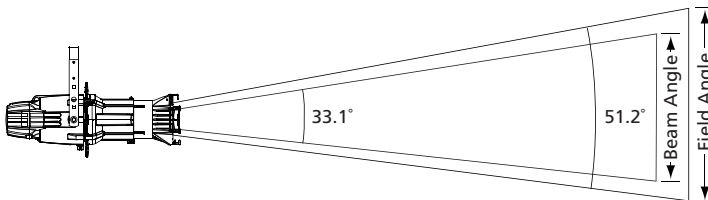
Iso-Illuminance Diagram (Flat Surface Distribution)



Source 4WRD Gallery (90 CRI) 50°

Mode	Degree	Candela	Field Lumens	Beam Lumens	Power Consumption	Efficacy (lpw)
Full Intensity	50°	21,749	6,496	3,556	155	41.9

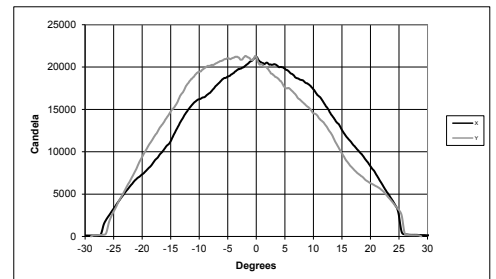
Metric Conversions: For meters, multiply feet by 0.3048
For lux, multiply footcandles by 10.76



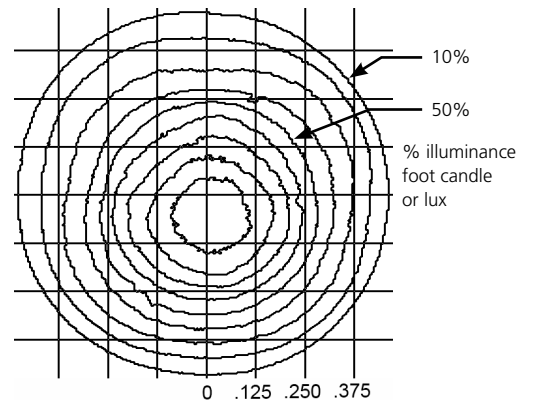
Throw Distance (d)	10ft	15ft	20ft	30ft	147.5ft
	3.0m	4.6m	6.1m	9.1m	45.0m
Field Diameter	9.6ft	14.4ft	19.2ft	28.7ft	-
	2.9m	4.4m	5.8m	8.8m	-
Illuminance (fc)	218	97	54	24	1
Illuminance (lux)	2,343	1,041	586	260	10.76

For field diameter at any distance, multiply distance by 0.958
For beam diameter at any distance, multiply by 0.594

Candela Plot



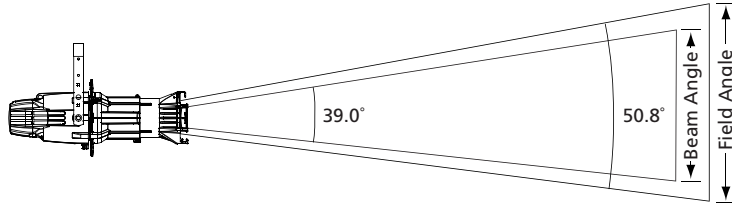
Iso-Illuminance Diagram (Flat Surface Distribution)



Source 4WRD Gallery (90 CRI) 50° EDLT

Mode	Degree	Candela	Field Lumens	Beam Lumens	Power Consumption	Efficacy (lpw)
Full Intensity	50°	17,615	6,341	3,989	155	40.9

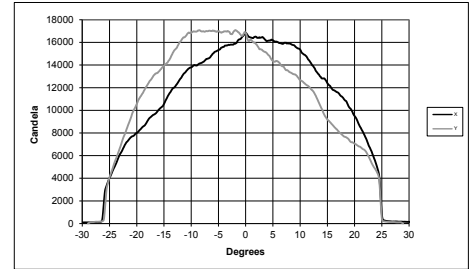
Metric conversions: For meters, multiply feet by 0.3048
For lux, multiply footcandles by 10.76



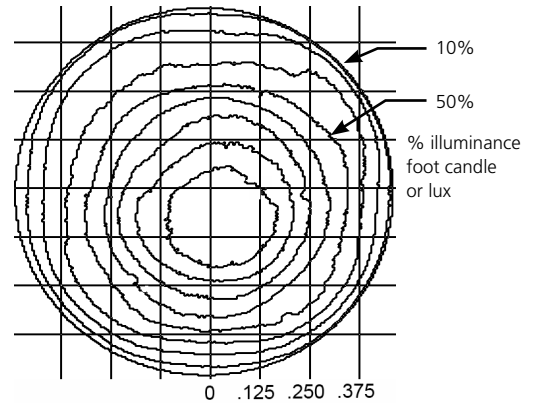
Throw Distance (d)	10ft	15ft	20ft	30ft	132.7ft
	3.0m	4.6m	6.1m	9.1m	40.4m
Field Diameter	9.5ft	14.2ft	19.0ft	28.5ft	-
	2.9m	4.3m	5.8m	8.7m	-
Illuminance (fc)	176	78	44	20	1
Illuminance (lux)	1,896	842	474	211	10.76

For field diameter at any distance, multiply distance by 0.950
For beam diameter at any distance, multiply by 0.708

Candela Plot



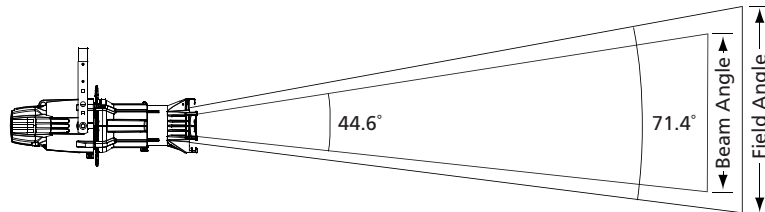
Iso-Illuminance Diagram (Flat Surface Distribution)



Source 4WRD Gallery (90 CRI) 70°

Mode	Degree	Candela	Field Lumens	Beam Lumens	Power Consumption	Efficacy (lpw)
Full Intensity	70°	13,356	7,440	3,672	155	48

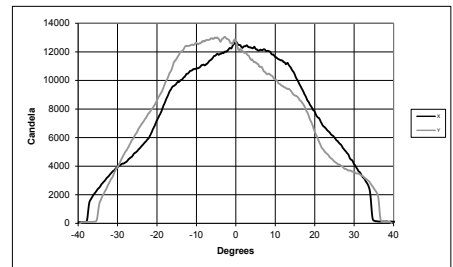
Metric conversions: For meters, multiply feet by 0.3048
For lux, multiply footcandles by 10.76



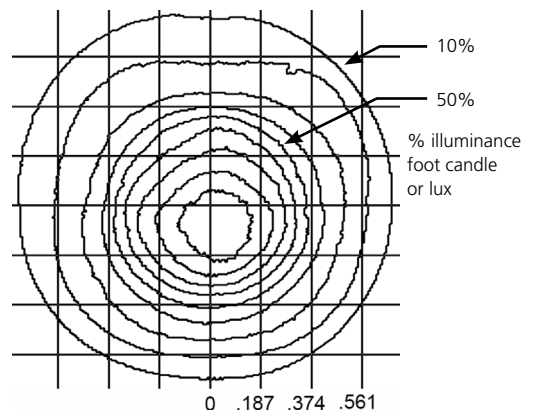
Throw Distance (d)	10ft	15ft	20ft	30ft	115.6ft
	3.0m	4.6m	6.1m	9.1m	35.2m
Field Diameter	14.4ft	21.6ft	28.7ft	43.1ft	-
	4.4m	6.6m	8.8m	13.1m	-
Illuminance (fc)	134	59	33	15	1
Illuminance (lux)	1,438	639	360	160	10.76

For field diameter at any distance, multiply distance by 1.437
For beam diameter at any distance, multiply by 0.820

Candela Plot



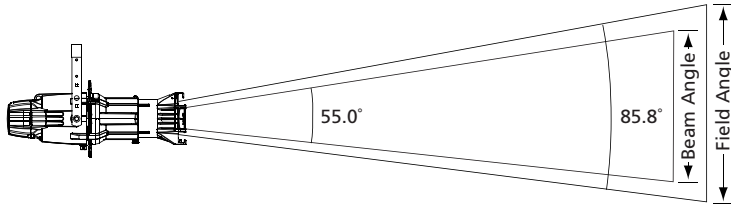
Iso-Illuminance Diagram (Flat Surface Distribution)



Source 4WRD Gallery (90 CRI) 90°

Mode	Degree	Candela	Field Lumens	Beam Lumens	Power Consumption	Efficacy (lpw)
Full Intensity	90°	9,610	7,390	3,569	155	47.7

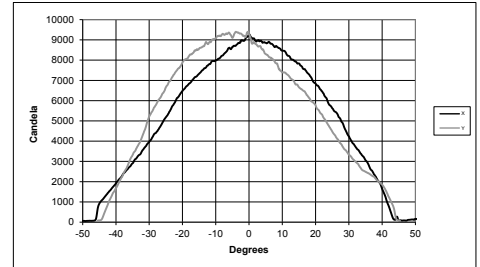
Metric conversions: For meters, multiply feet by 0.3048
For lux, multiply footcandles by 10.76



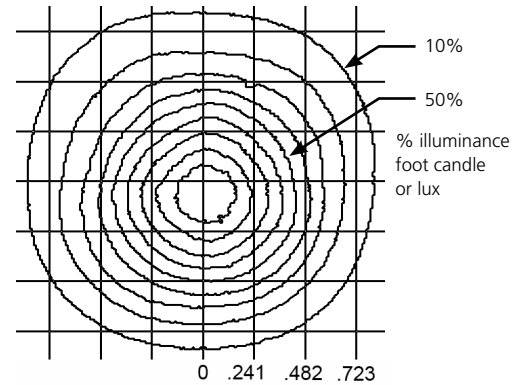
Throw Distance (d)	10ft	15ft	20ft	30ft	98.1ft
	3.0m	4.6m	6.1m	9.1m	29.9m
Field Diameter	18.6ft	27.9ft	37.2ft	55.8ft	-
	5.7m	8.5m	11.3m	17.0m	-
Illuminance (fc)	96	43	24	11	1
Illuminance (lux)	1,035	460	259	115	10.76

For field diameter at any distance, multiply distance by 1.859
For beam diameter at any distance, multiply by 1.041

Candela Plot



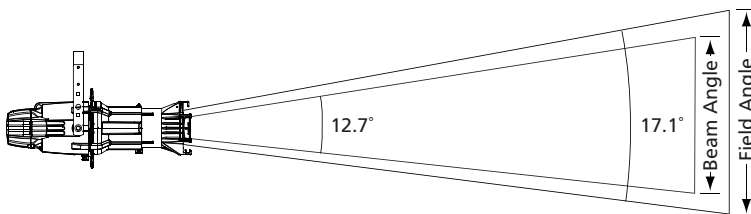
Iso-Illuminance Diagram (Flat Surface Distribution)



Source 4WRD Gallery (90 CRI) 15-30° Zoom Narrow

Mode	Degree	Candela	Field Lumens	Beam Lumens	Power Consumption	Efficacy (lpw)
Full Intensity	15°	142,404	5,725	4,005	155	36.9

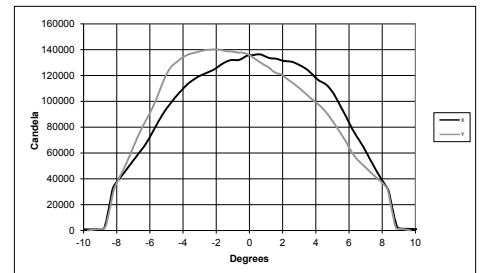
Metric conversions: For meters, multiply feet by 0.3048
For lux, multiply footcandles by 10.76



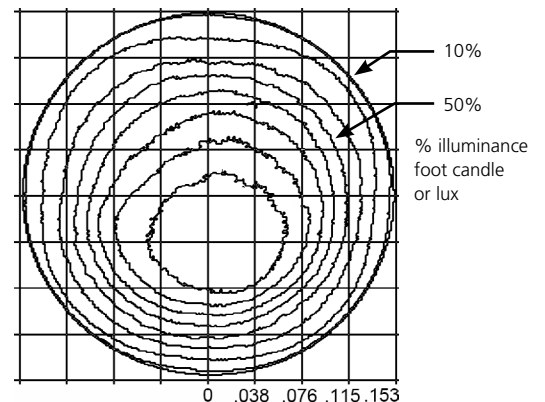
Throw Distance (d)	10ft	15ft	20ft	30ft	377.4ft
	3.0m	4.6m	6.1m	9.1m	115.0m
Field Diameter	3.0ft	4.5ft	6.0ft	9.0ft	-
	0.9m	1.4m	1.8m	2.7m	-
Illuminance (fc)	1,424	633	356	158	1
Illuminance (lux)	15,328	6,812	3,832	1,703	10.76

For field diameter at any distance, multiply distance by 0.301
For beam diameter at any distance, multiply by 0.223

Candela Plot



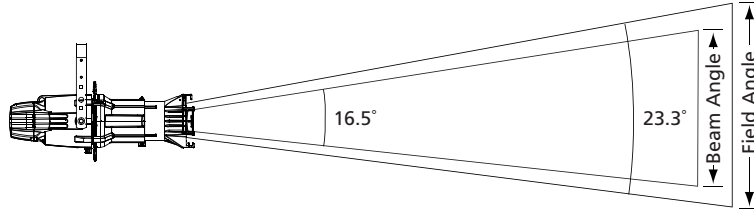
Iso-Illuminance Diagram (Flat Surface Distribution)



Source 4WRD Gallery (90 CRI) 15-30° Zoom Mid

Mode	Degree	Candela	Field Lumens	Beam Lumens	Power Consumption	Efficacy (lpw)
Full Intensity	23°	83,239	5,920	3,695	155	38.2

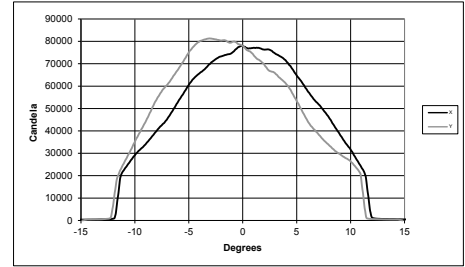
Metric conversions: For meters, multiply feet by 0.3048
For lux, multiply footcandles by 10.76



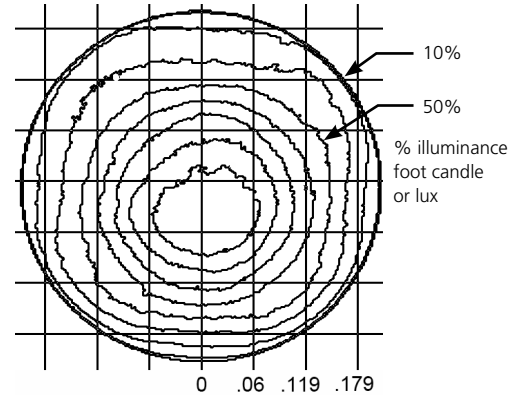
Throw Distance (d)	10ft	15ft	20ft	30ft	288.5ft
	3.0m	4.6m	6.1m	9.1m	87.9m
Field Diameter	4.1ft	6.2ft	8.2ft	12.4ft	-
	1.3m	1.9m	2.5m	3.8m	-
Illuminance (fc)	833	370	208	93	1
Illuminance (lux)	8,962	3,983	2,241	996	10.76

For field diameter at any distance, multiply distance by 0.412
For beam diameter at any distance, multiply by 0.290

Candela Plot



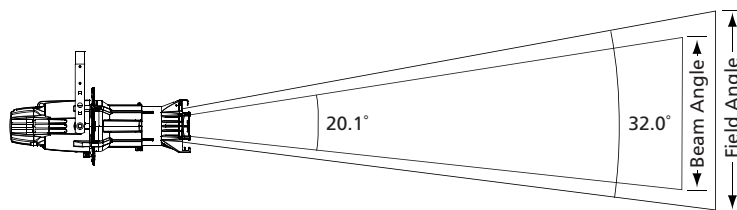
Iso-Illuminance Diagram (Flat Surface Distribution)



Source 4WRD Gallery (90 CRI) 15-30° Zoom Wide

Mode	Degree	Candela	Field Lumens	Beam Lumens	Power Consumption	Efficacy (lpw)
Full Intensity	30°	46,641	5,566	2,815	155	35.9

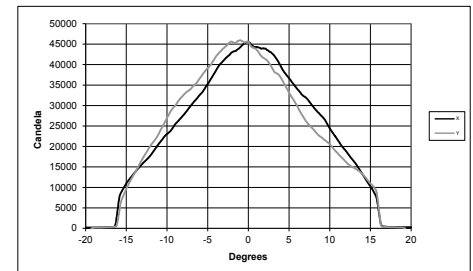
Metric conversions: For meters, multiply feet by 0.3048
For lux, multiply footcandles by 10.76



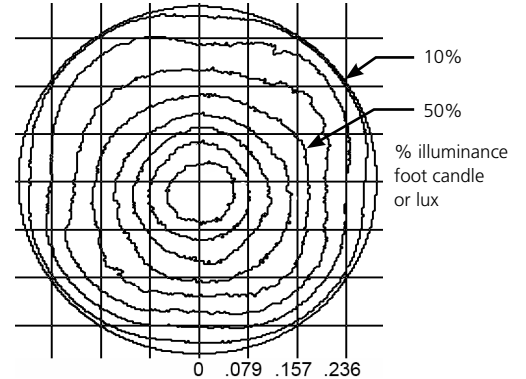
Throw Distance (d)	10ft	15ft	20ft	30ft	215.9ft
	3.0m	4.6m	6.1m	9.1m	65.8m
Field Diameter	5.7ft	8.6ft	11.5ft	17.2ft	-
	1.7m	2.6m	3.5m	5.2m	-
Illuminance (fc)	466	207	117	52	1
Illuminance (lux)	5,018	2,230	1,255	558	10.76

For field diameter at any distance, multiply distance by 0.573
For beam diameter at any distance, multiply by 0.354

Candela Plot



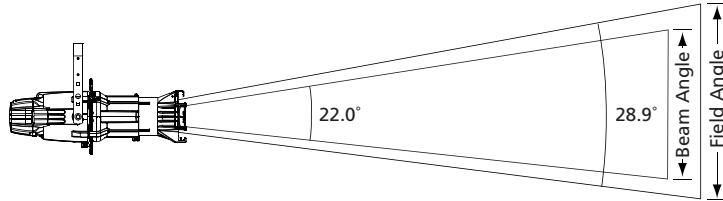
Iso-Illuminance Diagram (Flat Surface Distribution)



Source 4WRD Gallery (90 CRI) 25-50° Zoom Narrow

Mode	Degree	Candela	Field Lumens	Beam Lumens	Power Consumption	Efficacy (lpw)
Full Intensity	25°	63,868	7,213	5,185	155	46.2

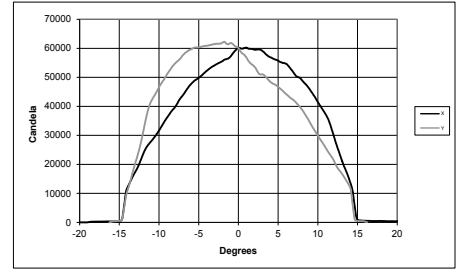
Metric conversions: For meters, multiply feet by 0.3048
For lux, multiply footcandles by 10.76



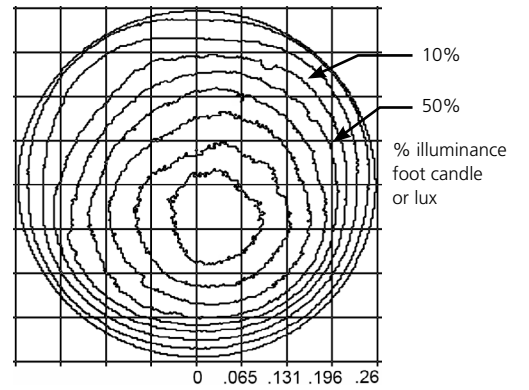
Throw Distance (d)	10ft	15ft	20ft	30ft	252.8ft
	3.0m	4.6m	6.1m	9.1m	77.0m
Field Diameter	5.2ft	7.7ft	10.3ft	15.5ft	-
	1.6m	2.4m	3.1m	4.7m	-
Illuminance (fc)	639	284	160	71	1
Illuminance (lux)	6,877	3,056	1,719	764	10.76

For field diameter at any distance, multiply distance by 0.515
For beam diameter at any distance, multiply by 0.389

Candela Plot



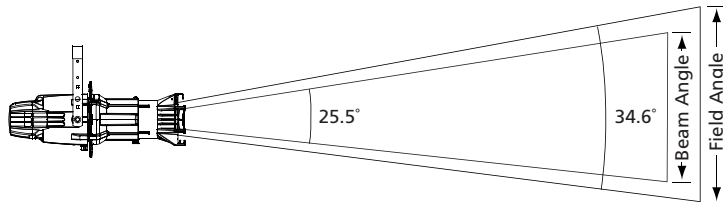
Iso-Illuminance Diagram (Flat Surface Distribution)



Source 4WRD Gallery (90 CRI) 25-50° Zoom Mid

Mode	Degree	Candela	Field Lumens	Beam Lumens	Power Consumption	Efficacy (lpw)
Full Intensity	37°	46,981	7,381	4,936	155	47.6

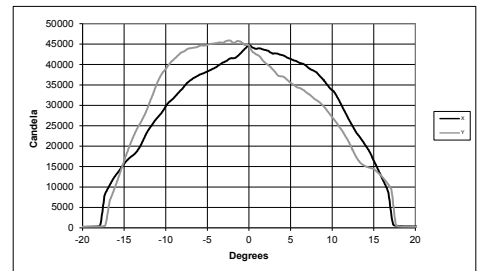
Metric conversions: For meters, multiply feet by 0.3048
For lux, multiply footcandles by 10.76



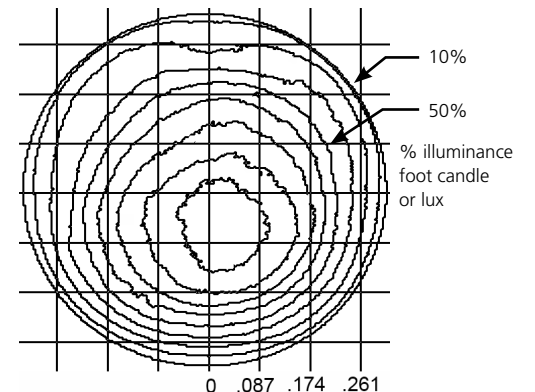
Throw Distance (d)	10ft	15ft	20ft	30ft	216.8ft
	3.0m	4.6m	6.1m	9.1m	66.1m
Field Diameter	6.2ft	9.3ft	12.5ft	18.7ft	-
	1.9m	2.8m	3.8m	5.7m	-
Illuminance (fc)	470	209	118	52	1
Illuminance (lux)	5,059	2,248	1,265	562	10.76

For field diameter at any distance, multiply distance by 0.623
For beam diameter at any distance, multiply by 0.453

Candela Plot



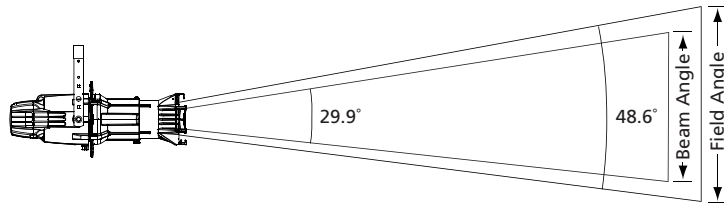
Iso-Illuminance Diagram (Flat Surface Distribution)



Source 4WRD Gallery (90 CRI) 25-50° Zoom Wide

Mode	Degree	Candela	Field Lumens	Beam Lumens	Power Consumption	Efficacy (lpw)
Full Intensity	50°	27,741	7,085	3,656	155	45.7

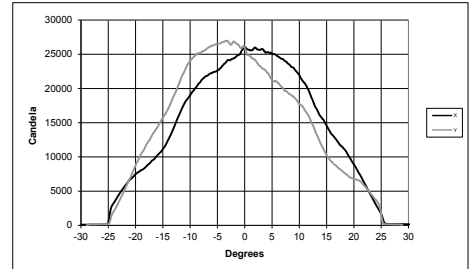
Metric conversions: For meters, multiply feet by 0.3048
 For lux, multiply footcandles by 10.76



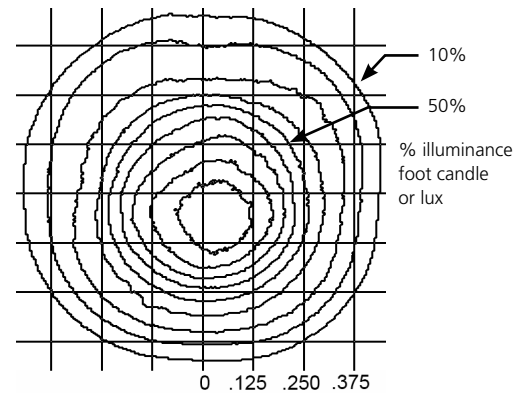
Throw Distance (d)	10ft	15ft	20ft	30ft	166.4ft
	3.0m	4.6m	6.1m	9.1m	50.7m
Field Diameter	9.0ft	13.5ft	18.1ft	27.1ft	-
	2.8m	4.1m	5.5m	8.3m	-
Illuminance (fc)	277	123	69	31	1
Illuminance (lux)	2,982	1,325	745	331	10.76

For field diameter at any distance, multiply distance by 0.903
 For beam diameter at any distance, multiply by 0.534

Candela Plot



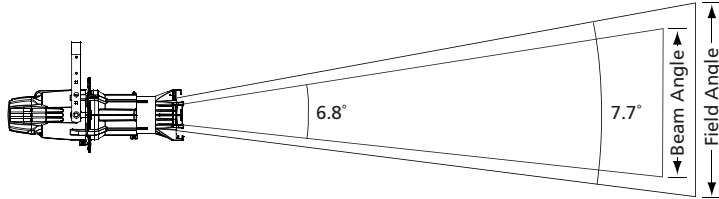
Iso-Illuminance Diagram (Flat Surface Distribution)



Source 4WRD Daylight Gallery (90 CRI) 5°

Mode	Degree	Candela	Field Lumens	Beam Lumens	Power Consumption	Efficacy (lpw)
Full Intensity	5°	626,649	5,708	5,325	156	36.6

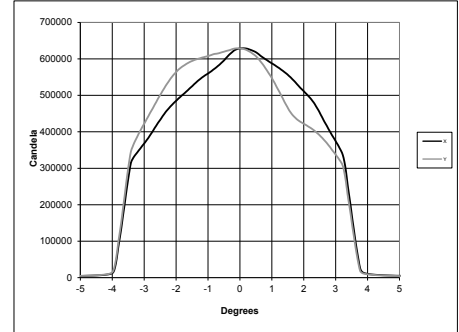
Metric conversions: For meters, multiply feet by 0.3048
For lux, multiply footcandles by 10.76



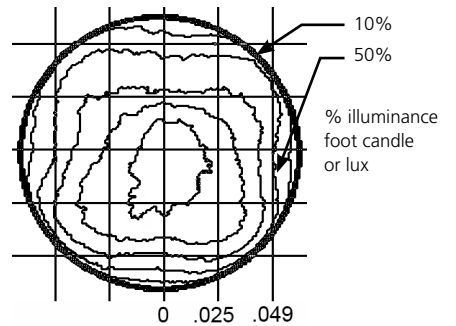
Throw Distance (d)	10ft	15ft	20ft	30ft	791.6ft
	3.0m	4.6m	6.1m	9.1m	241.3m
Field Diameter	1.3ft	2.0ft	2.7ft	4.0ft	-
	0.4m	0.6m	0.8m	1.2m	
Illuminance (fc)	6,266	2,785	1,567	696	1
Illuminance (lux)	67,447	29,976	16,862	7,494	10.76

For field diameter at any distance, multiply distance by 0.135
For beam diameter at any distance, multiply by 0.119

Candela Plot



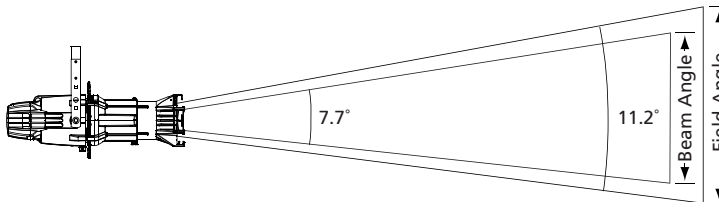
Iso-Illuminance Diagram (Flat Surface Distribution)



Source 4WRD Daylight Gallery (90 CRI) 10°

Mode	Degree	Candela	Field Lumens	Beam Lumens	Power Consumption	Efficacy (lpw)
Full Intensity	10°	396,874	6,493	3,764	156	41.6

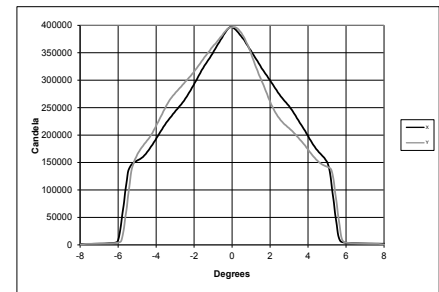
Metric Conversions: For meters, multiply feet by 0.3048
For lux, multiply footcandles by 10.76



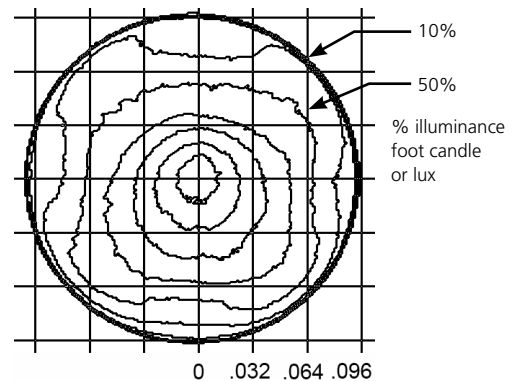
Throw Distance (d)	10ft	15ft	20ft	30ft	630.0ft
	3.0m	4.6m	6.1m	9.1m	192.0m
Field Diameter	2.0ft	2.9ft	3.9ft	5.9ft	-
	0.6m	0.9m	1.2m	1.8m	
Illuminance (fc)	3,969	1,764	992	441	1
Illuminance (lux)	42,722	18,988	10,680	4,747	10.76

For field diameter at any distance, multiply distance by 0.196
For beam diameter at any distance, multiply by 0.135

Candela Plot



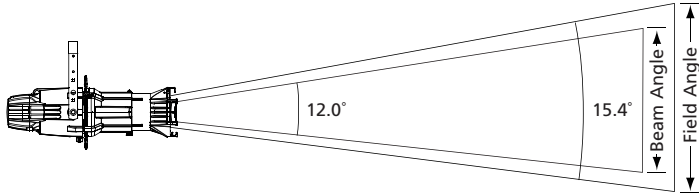
Iso-Illuminance Diagram (Flat Surface Distribution)



Source 4WRD Daylight Gallery (90 CRI) 14°

Mode	Degree	Candela	Field Lumens	Beam Lumens	Power Consumption	Efficacy (lpw)
Full Intensity	14°	196,249	6,679	4,838	156	42.8

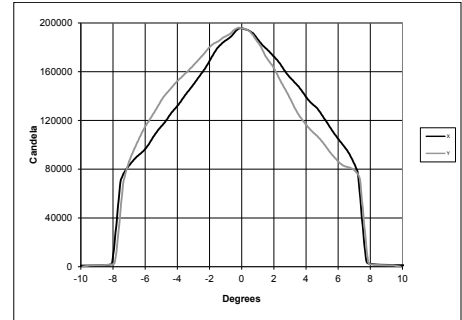
Metric conversions: For meters, multiply feet by 0.3048
For lux, multiply footcandles by 10.76



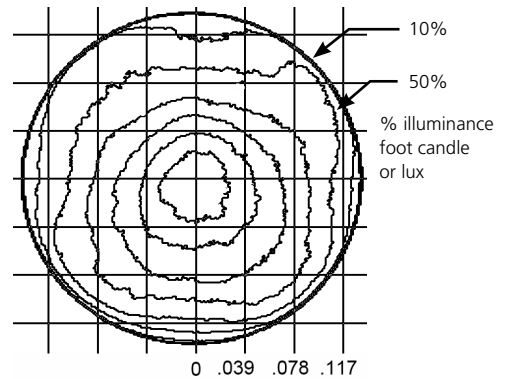
Throw Distance (d)	10ft	15ft	20ft	30ft	443.0ft
	3.0m	4.6m	6.1m	9.1m	135.0m
Field Diameter	2.7ft	4.1ft	5.4ft	8.1ft	-
	0.8m	1.2m	1.6m	2.5m	-
Illuminance (fc)	1,963	872	491	218	1
Illuminance (lux)	21,124	9,389	5,281	2,347	10.76

For field diameter at any distance, multiply distance by 0.270
For beam diameter at any distance, multiply by 0.210

Candela Plot



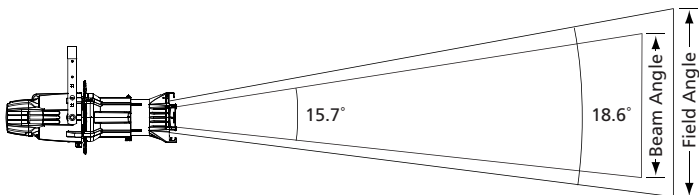
Iso-Illuminance Diagram (Flat Surface Distribution)



Source 4WRD Daylight Gallery (90 CRI) 19°

Mode	Degree	Candela	Field Lumens	Beam Lumens	Power Consumption	Efficacy (lpw)
Full Intensity	19°	114,467	5,918	4,825	156	37.9

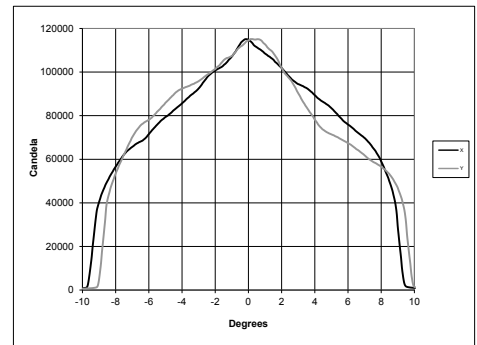
Metric Conversions: For meters, multiply feet by 0.3048
For lux, multiply footcandles by 10.76



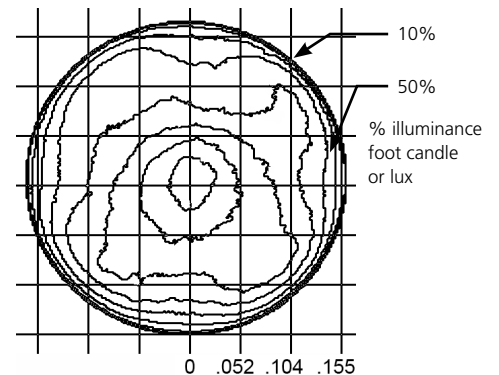
Throw Distance (d)	10ft	15ft	20ft	30ft	338.4ft
	3.0m	4.6m	6.1m	9.1m	103.1m
Field Diameter	3.3ft	4.9ft	6.6ft	9.8ft	-
	1.0m	1.5m	2.0m	3.0m	-
Illuminance (fc)	1,145	509	286	127	1
Illuminance (lux)	12,325	5,784	3,081	1,369	10.76

For field diameter at any distance, multiply distance by 0.328
For beam diameter at any distance, multiply by 0.276

Candela Plot



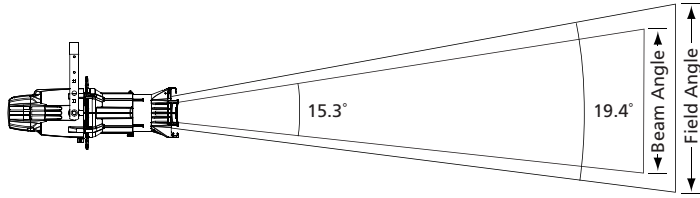
Iso-Illuminance Diagram (Flat Surface Distribution)



Source 4WRD Daylight Gallery (90 CRI) 19° EDLT

Mode	Degree	Candela	Field Lumens	Beam Lumens	Power Consumption	Efficacy (lpw)
Full Intensity	19°	128,404	6,950	5,138	156	52.9

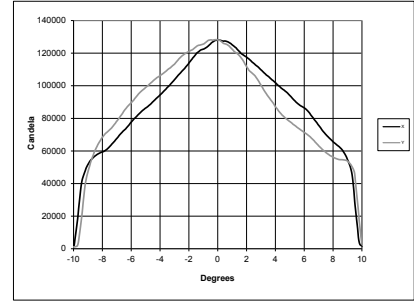
Metric conversions: For meters, multiply feet by 0.3048
For lux, multiply footcandles by 10.76



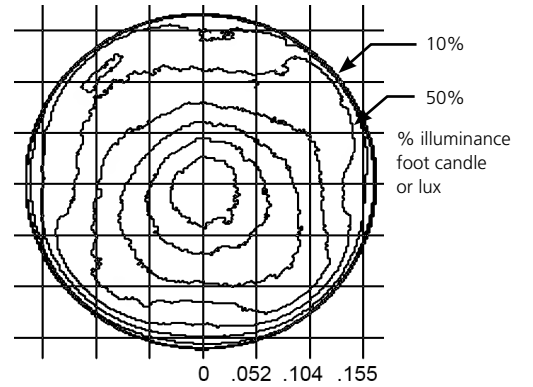
Throw Distance (d)	10ft	15ft	20ft	30ft	358.3ft
	3.0m	4.6m	6.1m	9.1m	109.2m
Field Diameter	3.4ft	5.1ft	6.8ft	10.3ft	-
	1.0m	1.6m	2.1m	3.1m	-
Illuminance (fc)	1,284	571	321	143	1
Illuminance (lux)	13,821	6,143	3,455	1,536	10.76

For field diameter at any distance, multiply distance by 0.342
For beam diameter at any distance, multiply by 0.269

Candela Plot



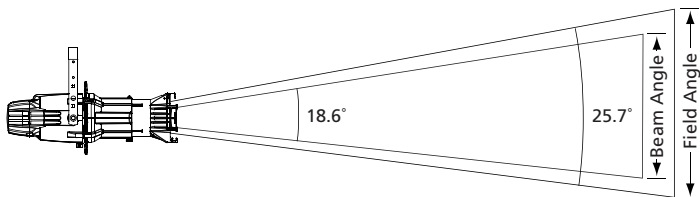
Iso-Illuminance Diagram (Flat Surface Distribution)



Source 4WRD Gallery (90 CRI) 26°

Mode	Degree	Candela	Field Lumens	Beam Lumens	Power Consumption	Efficacy (lpw)
Full Intensity	26°	75,066	6,594	4,052	156	42.3

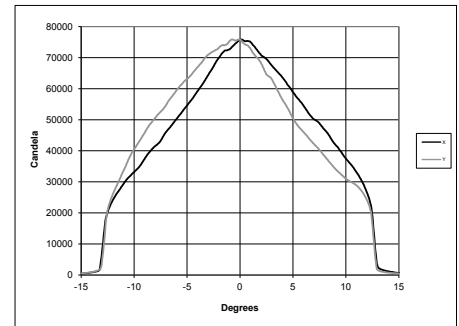
Metric Conversions: For meters, multiply feet by 0.3048
For lux, multiply footcandles by 10.76



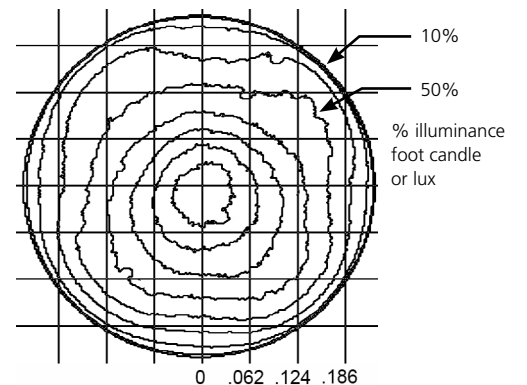
Throw Distance (d)	10ft	15ft	20ft	30ft	274.0ft
	3.0m	4.6m	6.1m	9.1m	83.5m
Field Diameter	4.6ft	6.8ft	9.1ft	13.7ft	-
	1.4m	2.1m	2.8m	4.2m	-
Illuminance (fc)	751	334	188	83	1
Illuminance (lux)	8,080	3,591	2,020	898	10.76

For field diameter at any distance, multiply distance by 0.456
For beam diameter at any distance, multiply by 0.328

Candela Plot



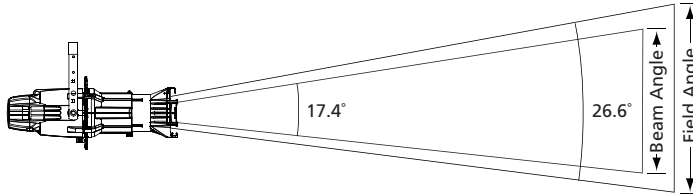
Iso-Illuminance Diagram (Flat Surface Distribution)



Source 4WRD Daylight Gallery (90 CRI) 26° EDLT

Mode	Degree	Candela	Field Lumens	Beam Lumens	Power Consumption	Efficacy (lpw)
Full Intensity	26°	99,941	8,248	5,039	156	52.9

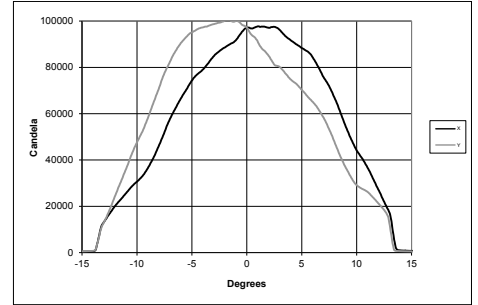
Metric conversions: For meters, multiply feet by 0.3048
For lux, multiply footcandles by 10.76



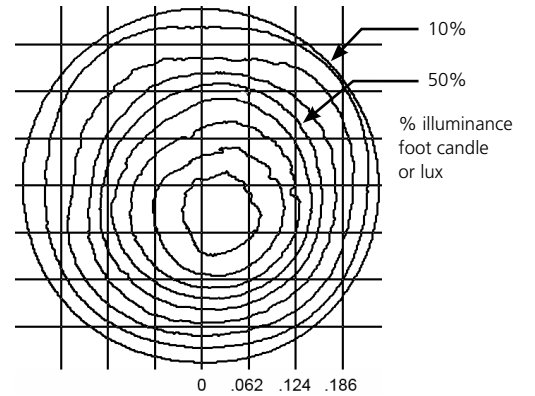
Throw Distance (d)	10ft	15ft	20ft	30ft	316.1ft
	3.0m	4.6m	6.1m	9.1m	96.3m
Field Diameter	4.7ft	7.1ft	9.5ft	14.2ft	-
	1.4m	2.2m	2.9m	4.3m	-
Illuminance (fc)	999	444	250	111	1
Illuminance (lux)	10,753	4,779	2,688	1,195	10.76

For field diameter at any distance, multiply distance by 0.473
For beam diameter at any distance, multiply by 0.306

Candela Plot



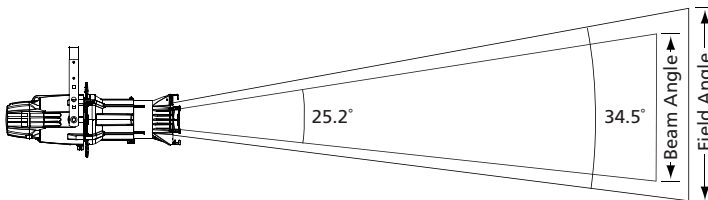
Iso-Illuminance Diagram (Flat Surface Distribution)



Source 4WRD Daylight Gallery (90 CRI) 36°

Mode	Degree	Candela	Field Lumens	Beam Lumens	Power Consumption	Efficacy (lpw)
Full Intensity	36°	52,443	7,775	5,121	156	49.8

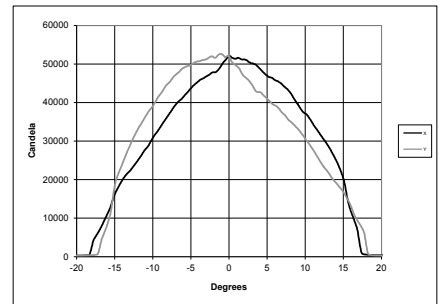
Metric Conversions: For meters, multiply feet by 0.3048
For lux, multiply footcandles by 10.76



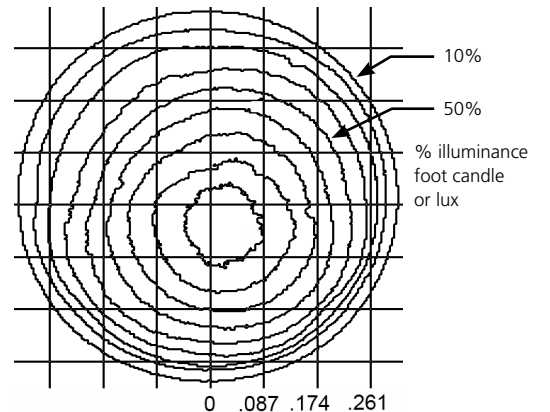
Throw Distance (d)	10ft	15ft	20ft	30ft	228.9ft
	3.0m	4.6m	6.1m	9.1m	69.8m
Field Diameter	6.2ft	9.3ft	12.4ft	18.6ft	-
	1.9m	2.8m	3.8m	5.7m	-
Illuminance (fc)	524	233	131	58	1
Illuminance (lux)	5,640	2,507	1,410	627	10.76

For field diameter at any distance, multiply distance by 0.621
For beam diameter at any distance, multiply by 0.447

Candela Plot



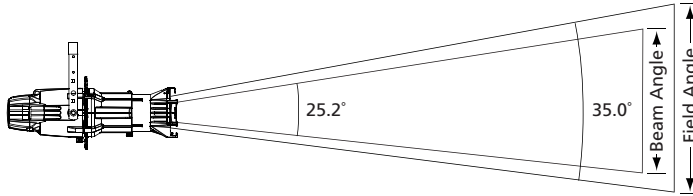
Iso-Illuminance Diagram (Flat Surface Distribution)



Source 4WRD Daylight Gallery (90 CRI) 36° EDLT

Mode	Degree	Candela	Field Lumens	Beam Lumens	Power Consumption	Efficacy (lpw)
Full Intensity	36°	49,562	7,817	5,076	156	50.1

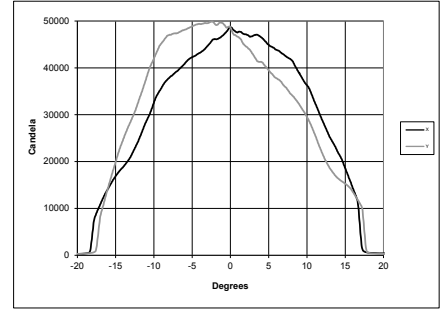
Metric conversions: For meters, multiply feet by 0.3048
For lux, multiply footcandles by 10.76



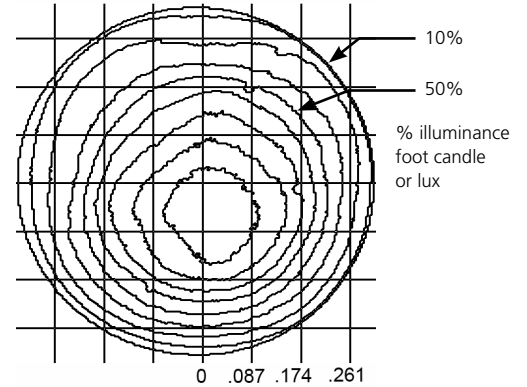
Throw Distance (d)	10ft	15ft	20ft	30ft	222.6ft
	3.0m	4.6m	6.1m	9.1m	67.9m
Field Diameter	6.3ft	9.5ft	12.6ft	18.9ft	-
	1.9m	2.9m	3.8m	5.8m	-
Illuminance (fc)	496	220	124	55	1
Illuminance (lux)	5,335	2,371	1,334	593	10.76

For field diameter at any distance, multiply distance by 0.631
For beam diameter at any distance, multiply by 0.447

Candela Plot



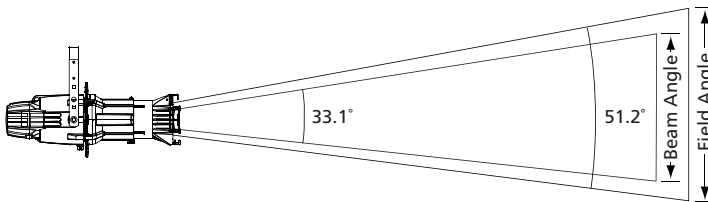
Iso-Illuminance Diagram (Flat Surface Distribution)



Source 4WRD Daylight Gallery (90 CRI) 50°

Mode	Degree	Candela	Field Lumens	Beam Lumens	Power Consumption	Efficacy (lpw)
Full Intensity	50°	25,142	7,509	4,111	156	48.1

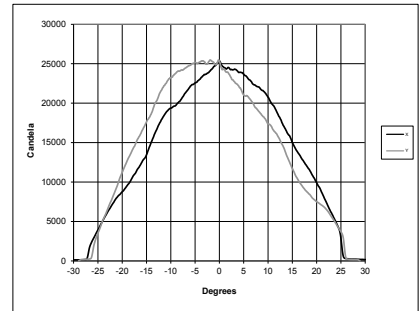
Metric Conversions: For meters, multiply feet by 0.3048
For lux, multiply footcandles by 10.76



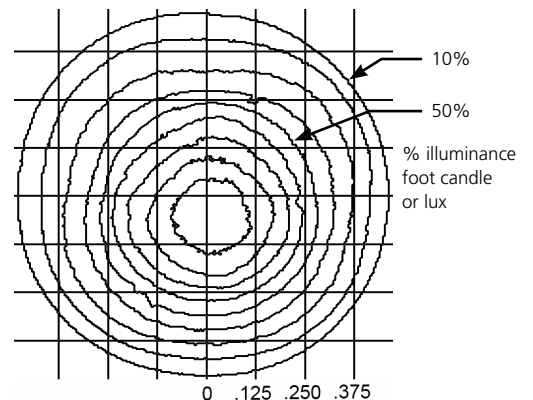
Throw Distance (d)	10ft	15ft	20ft	30ft	158.6ft
	3.0m	4.6m	6.1m	9.1m	48.3m
Field Diameter	9.6ft	14.4ft	19.2ft	28.7ft	-
	2.9m	4.4m	5.8m	8.8m	-
Illuminance (fc)	251	112	63	28	1
Illuminance (lux)	2,706	1,203	677	301	10.76

For field diameter at any distance, multiply distance by 0.958
For beam diameter at any distance, multiply by 0.594

Candela Plot



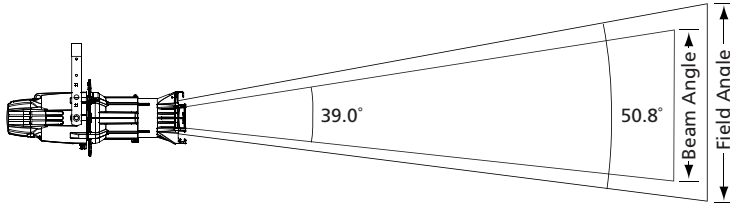
Iso-Illuminance Diagram (Flat Surface Distribution)



Source 4WRD Daylight Gallery (90 CRI) 50° EDLT

Mode	Degree	Candela	Field Lumens	Beam Lumens	Power Consumption	Efficacy (lpw)
Full Intensity	50°	20,363	7,330	4,611	156	47.0

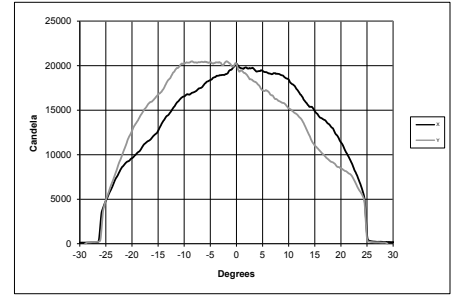
Metric conversions: For meters, multiply feet by 0.3048
For lux, multiply footcandles by 10.76



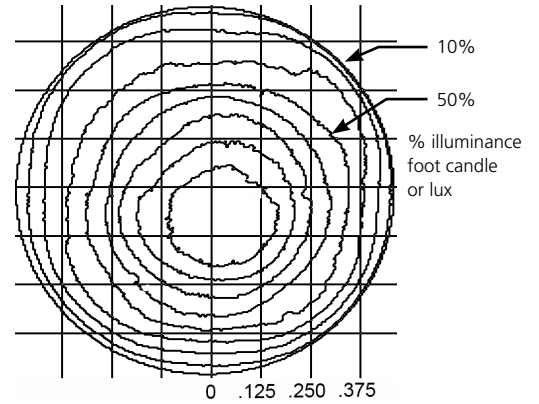
Throw Distance (d)	10ft	15ft	20ft	30ft	142.7ft
	3.0m	4.6m	6.1m	9.1m	43.5m
Field Diameter	9.5ft	14.2ft	19.0ft	28.5ft	-
	2.9m	4.3m	5.8m	8.7m	-
Illuminance (fc)	204	90	51	23	1
Illuminance (lux)	2,192	974	548	244	10.76

For field diameter at any distance, multiply distance by 0.950
For beam diameter at any distance, multiply by 0.708

Candela Plot



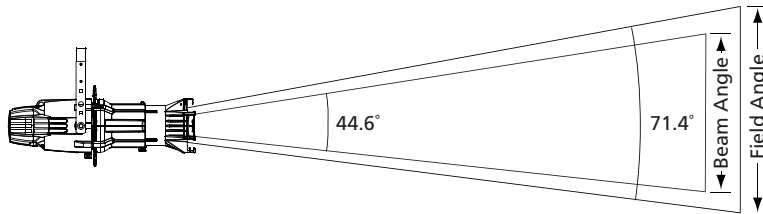
Iso-Illuminance Diagram (Flat Surface Distribution)



Source 4WRD Daylight Gallery (90 CRI) 70°

Mode	Degree	Candela	Field Lumens	Beam Lumens	Power Consumption	Efficacy (lpw)
Full Intensity	70°	15,440	8,601	4,245	156	55.1

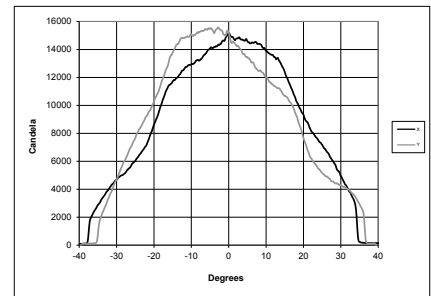
Metric conversions: For meters, multiply feet by 0.3048
For lux, multiply footcandles by 10.76



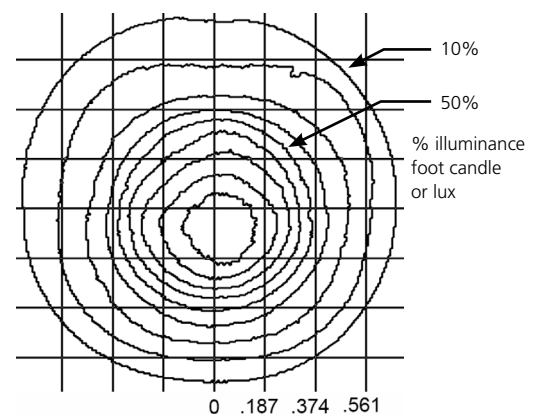
Throw Distance (d)	10ft	15ft	20ft	30ft	124.3ft
	3.0m	4.6m	6.1m	9.1m	37.9m
Field Diameter	14.4ft	21.6ft	28.7ft	43.1ft	-
	4.4m	6.6m	8.8m	13.1m	-
Illuminance (fc)	154	69	39	17	1
Illuminance (lux)	1,662	739	415	185	10.76

For field diameter at any distance, multiply distance by 1.437
For beam diameter at any distance, multiply by 0.820

Candela Plot



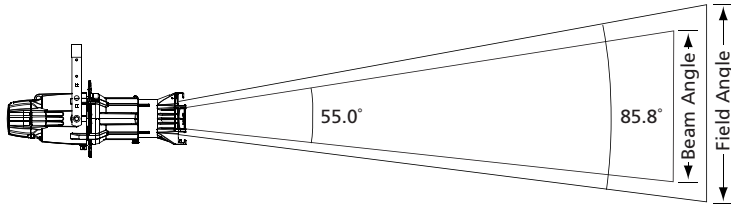
Iso-Illuminance Diagram (Flat Surface Distribution)



Source 4WRD Daylight Gallery (90 CRI) 90°

Mode	Degree	Candela	Field Lumens	Beam Lumens	Power Consumption	Efficacy (lpw)
Full Intensity	90°	11,109	8,543	4,126	156	54.8

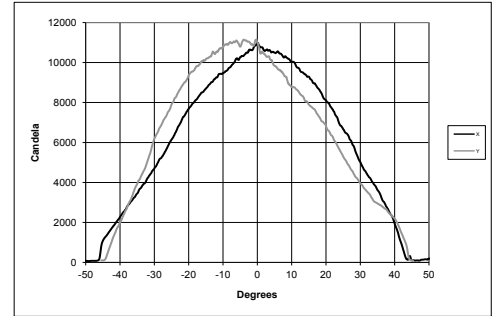
Metric conversions: For meters, multiply feet by 0.3048
For lux, multiply footcandles by 10.76



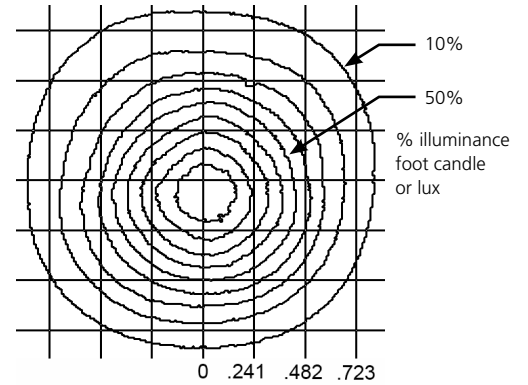
Throw Distance (d)	10ft	15ft	20ft	30ft	105.4ft
	3.0m	4.6m	6.1m	9.1m	32.1m
Field Diameter	18.6ft	27.9ft	37.2ft	55.8ft	-
	5.7m	8.5m	11.3m	17.0m	-
Illuminance (fc)	111	49	28	12	1
Illuminance (lux)	1,196	531	299	133	10.76

For field diameter at any distance, multiply distance by 1.859
For beam diameter at any distance, multiply by 1.041

Candela Plot



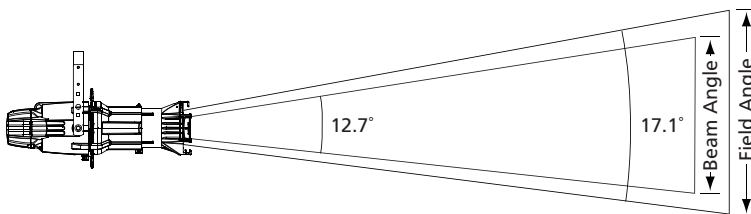
Iso-Illuminance Diagram (Flat Surface Distribution)



Source 4WRD Daylight Gallery (90 CRI) 15-30° Zoom Narrow

Mode	Degree	Candela	Field Lumens	Beam Lumens	Power Consumption	Efficacy (lpw)
Full Intensity	15°	164,619	6,618	4,630	156	42.4

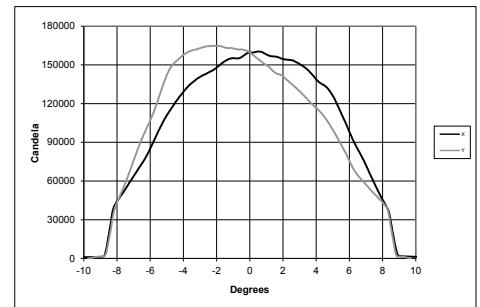
Metric conversions: For meters, multiply feet by 0.3048
For lux, multiply footcandles by 10.76



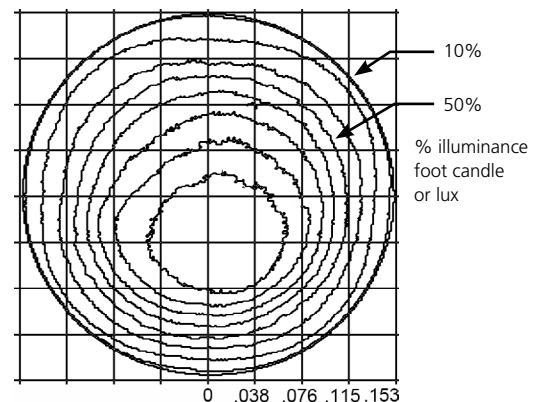
Throw Distance (d)	10ft	15ft	20ft	30ft	405.7ft
	3.0m	4.6m	6.1m	9.1m	123.7m
Field Diameter	3.0ft	4.5ft	6.0ft	9.0ft	-
	0.9m	1.4m	1.8m	2.7m	-
Illuminance (fc)	1,646	732	412	183	1
Illuminance (lux)	17,717	7,874	4,429	1,969	10.76

For field diameter at any distance, multiply distance by 0.301
For beam diameter at any distance, multiply by 0.223

Candela Plot



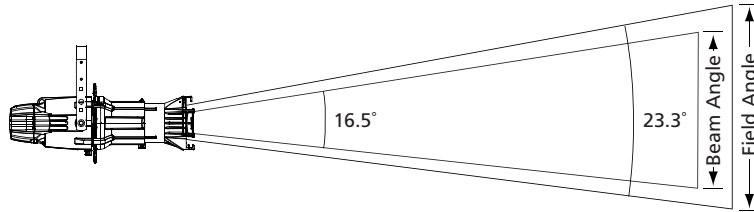
Iso-Illuminance Diagram (Flat Surface Distribution)



Source 4WRD Daylight Gallery (90 CRI) 15-30° Zoom Mid

Mode	Degree	Candela	Field Lumens	Beam Lumens	Power Consumption	Efficacy (lpw)
Full Intensity	23°	96,224	6,844	4,271	156	43.9

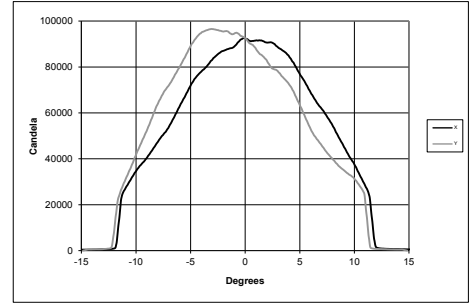
Metric conversions: For meters, multiply feet by 0.3048
For lux, multiply footcandles by 10.76



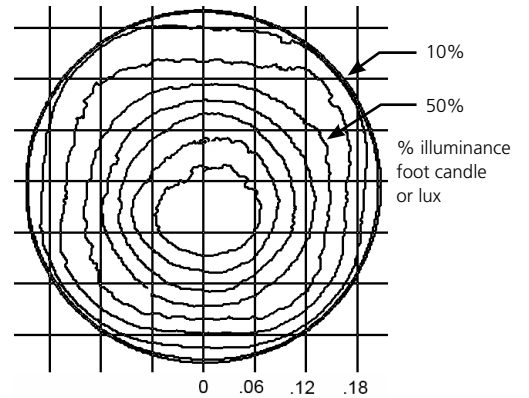
Throw Distance (d)	10ft	15ft	20ft	30ft	310.2ft
	3.0m	4.6m	6.1m	9.1m	94.5m
Field Diameter	4.1ft	6.2ft	8.2ft	12.4ft	-
	1.3m	1.9m	2.5m	3.8m	-
Illuminance (fc)	962	428	241	107	1
Illuminance (lux)	10,357	4,603	2,589	1,151	10.76

For field diameter at any distance, multiply distance by 0.412
For beam diameter at any distance, multiply by 0.290

Candela Plot



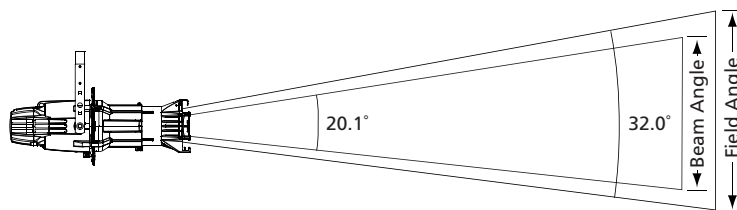
Iso-Illuminance Diagram (Flat Surface Distribution)



Source 4WRD Daylight Gallery (90 CRI) 15-30° Zoom Wide

Mode	Degree	Candela	Field Lumens	Beam Lumens	Power Consumption	Efficacy (lpw)
Full Intensity	30°	53,917	6,434	3,254	156	41.2

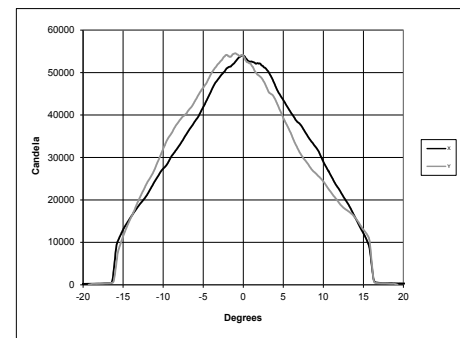
Metric conversions: For meters, multiply feet by 0.3048
For lux, multiply footcandles by 10.76



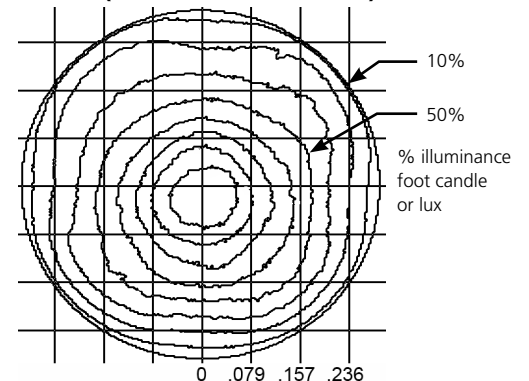
Throw Distance (d)	10ft	15ft	20ft	30ft	232.2ft
	3.0m	4.6m	6.1m	9.1m	70.8m
Field Diameter	5.7ft	8.6ft	11.5ft	17.2ft	-
	1.7m	2.6m	3.5m	5.2m	-
Illuminance (fc)	539	240	135	60	1
Illuminance (lux)	5,804	2,580	1,451	645	10.76

For field diameter at any distance, multiply distance by 0.573
For beam diameter at any distance, multiply by 0.354

Candela Plot



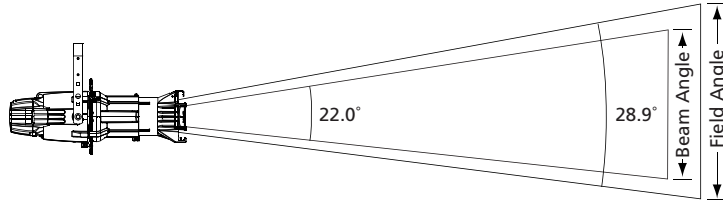
Iso-Illuminance Diagram (Flat Surface Distribution)



Source 4WRD Daylight Gallery (90 CRI) 25-50° Zoom Narrow

Mode	Degree	Candela	Field Lumens	Beam Lumens	Power Consumption	Efficacy (lpw)
Full Intensity	25°	73,831	8,338	5,994	156	53.5

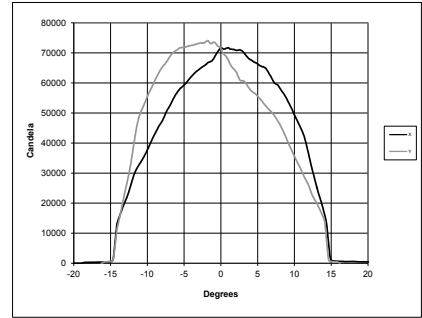
Metric conversions: For meters, multiply feet by 0.3048
For lux, multiply footcandles by 10.76



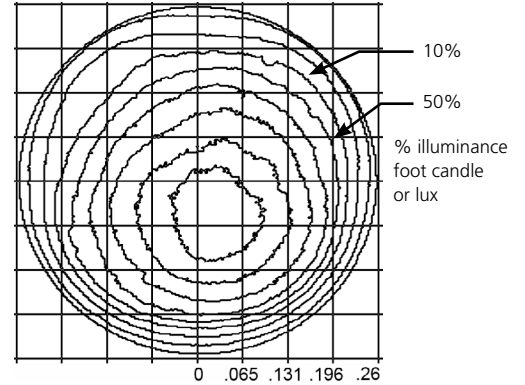
Throw Distance (d)	10ft	15ft	20ft	30ft	271.7ft
	3.0m	4.6m	6.1m	9.1m	82.8m
Field Diameter	5.2ft	7.7ft	10.3ft	15.5ft	-
	1.6m	2.4m	3.1m	4.7m	-
Illuminance (fc)	738	328	185	82	1
Illuminance (lux)	7,947	3,532	1,987	883	10.76

For field diameter at any distance, multiply distance by 0.515
For beam diameter at any distance, multiply by 0.389

Candela Plot



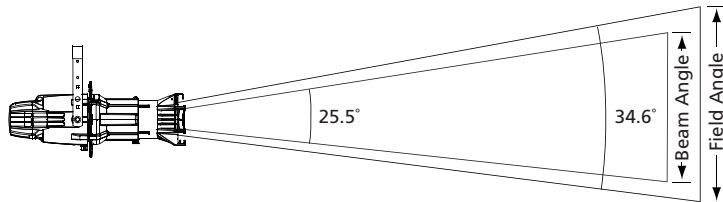
Iso-Illuminance Diagram (Flat Surface Distribution)



Source 4WRD Daylight Gallery (90 CRI) 25-50° Zoom Mid

Mode	Degree	Candela	Field Lumens	Beam Lumens	Power Consumption	Efficacy (lpw)
Full Intensity	37°	54,310	8,532	5,706	156	54.7

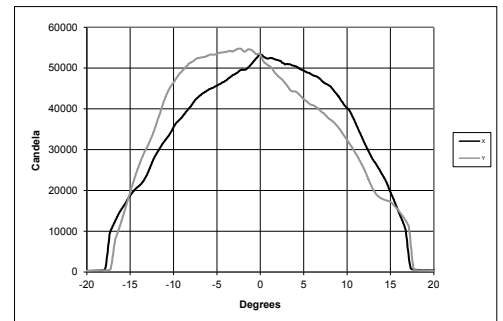
Metric conversions: For meters, multiply feet by 0.3048
For lux, multiply footcandles by 10.76



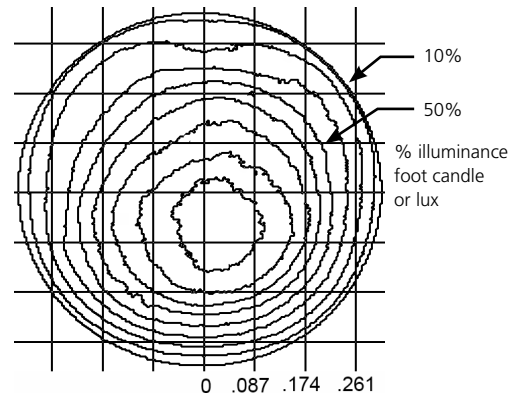
Throw Distance (d)	10ft	15ft	20ft	30ft	233.0ft
	3.0m	4.6m	6.1m	9.1m	71.0m
Field Diameter	6.2ft	9.3ft	12.5ft	18.7ft	-
	1.9m	2.8m	3.8m	5.7m	-
Illuminance (fc)	543	241	136	60	1
Illuminance (lux)	5,846	2,598	1,461	650	10.76

For field diameter at any distance, multiply distance by 0.623
For beam diameter at any distance, multiply by 0.453

Candela Plot



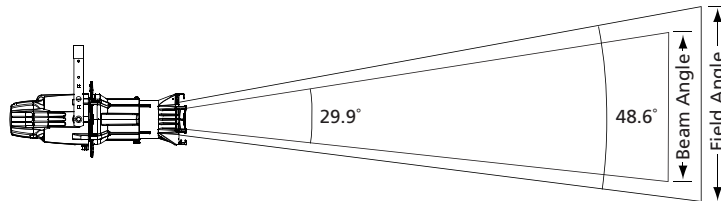
Iso-Illuminance Diagram (Flat Surface Distribution)



Source 4WRD Daylight Gallery (90 CRI) 25-50° Zoom Wide

Mode	Degree	Candela	Field Lumens	Beam Lumens	Power Consumption	Efficacy (lpw)
Full Intensity	50°	32,069	8,190	4,226	156	52.5

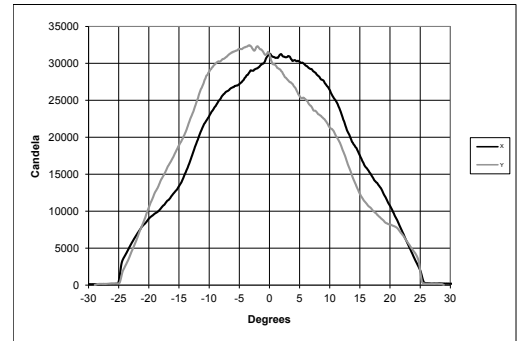
Metric conversions: For meters, multiply feet by 0.3048
 For lux, multiply footcandles by 10.76



Throw Distance (d)	10ft	15ft	20ft	30ft	179.1ft
	3.0m	4.6m	6.1m	9.1m	54.6m
Field Diameter	9.0ft	13.5ft	18.1ft	27.1ft	-
	2.8m	4.1m	5.5m	8.3m	-
Illuminance (fc)	321	143	80	36	1
Illuminance (lux)	3,452	1,534	863	384	10.76

For field diameter at any distance, multiply distance by 0.903
 For beam diameter at any distance, multiply by 0.534

Candela Plot



Iso-Illuminance Diagram (Flat Surface Distribution)

