

PLATINUM SPOT 35 PRO™

user manual

©2014 ELATION PROFESSIONAL all rights reserved. Information, specifications, diagrams, images, and instructions herein are subject to change without notice. ELATION PROFESSIONAL logo and identifying product names and numbers herein are trademarks of ELATION PROFESSIONAL. Copyright protection claimed includes all forms and matters of copyrightable materials and information now allowed by statutory or judicial law or hereinafter granted. Product names used in this document may be trademarks or registered trademarks of their respective companies and are hereby acknowledged. All non-ELATION brands and product names are trademarks or registered trademarks of their respective companies.

ELATION PROFESSIONAL and all affiliated companies hereby disclaim any and all liabilities for property, equipment, building, and electrical damages, injuries to any persons, and direct or indirect economic loss associated with the use or reliance of any information contained within this document, and/or as a result of the improper, unsafe, insufficient and negligent assembly, installation, rigging, and operation of this product.

Elation Professional USA | 6122 S. Eastern Ave. | Los Angeles, CA. 90040
323-582-3322 | 323-832-9142 fax | www.elationlighting.com | info@elationlighting.com

Elation Professional B.V. | Junostraat 2 | 6468 EW Kerkrade, The Netherlands
+31 45 546 85 66 | +31 45 546 85 96 fax | www.elationlighting.eu | info@elationlighting.eu

DOCUMENT VERSION



Please check www.elationlighting.com for the latest revision/update of this manual.

Date	Document Version	Software Version	DMX Channel Modes	Notes
9/22/15	1	≥1.0.0	27 / 29 / 41	Updated manual format.

CONTENTS

General Information	4
Warranty	6
Safety Instructions	7
General Guidelines	8
Discharge Lamp Warning	9
Fixture Overview	10
Lamp Installation Instructions	11
Fixture Installation	17
Fixture Menu	20
WDMX Internal Wireless DMX Receiver Set Up	29
DMX Channel Functions And Values	31
Error Codes	37
Cleaning and Maintenance	38
Technical Specifications	39
Optional Accessories	43

GENERAL INFORMATION

INTRODUCTION

Congratulations, you have just purchased one of the most innovative and reliable lighting fixtures on the market today! This fixture has been designed to perform reliably for years when the guidelines in this booklet are followed. Please read and understand the instructions in this manual carefully and thoroughly before attempting to operate this unit. These instructions contain important information regarding safety during use and maintenance.

UNPACKING

Every unit has been thoroughly tested and has been shipped in perfect operating condition. Carefully check the shipping carton for damage that may have occurred during shipping. If the carton appears to be damaged, carefully inspect your unit for damage and be sure all accessories necessary to operate the unit have arrived intact. In the event damage has been found or parts are missing, please contact our customer support team for further instructions. Please do not return this unit to your dealer without first contacting customer support at the number listed below. Please do not discard the shipping carton in the trash. Please recycle whenever possible.

BOX CONTENTS

- (2) Omega Brackets
- (1) 3pin DMX Cable
- (1) powerCON Cable
- (1) Safety Cable
- Manual & Warranty Card

CUSTOMER SUPPORT

Elation Professional® provides a customer support line, to provide set up help and to answer any question should you encounter problems during your set up or initial operation. You may also visit us on the web at www.elationlighting.com for any comments or suggestions. For service related issue please contact Elation Professional®.

ELATION SERVICE USA - Monday - Friday 8:00am to 5:00pm PST

Voice: 323-582-3322

Fax: 323-832-9142

E-mail: support@elationlighting.com

ELATION SERVICE EUROPE - Monday - Friday 08:30 to 17:00 CET

Voice: +31 45 546 85 30

Fax: +31 45 546 85 96

E-mail: support@elationlighting.eu

WARRANTY REGISTRATION

Please complete and mail in the enclosed warranty card or register online: <http://www.elationlighting.com/Login.aspx> to validate your purchase. All returned service items whether under warranty or not, must be freight pre-paid and accompany a return authorization (R.A.) number. The R.A. number must be clearly written on the outside of the return package. A brief description of the problem as well as the R.A. number must also be written down on a piece of paper and included in the shipping container. If the unit is under warranty, you must provide a copy of your proof of purchase invoice. Items returned without a R.A. number clearly marked on the outside of the package will be refused and returned at customer's expense. You may obtain a R.A. number by contacting customer support.



IMPORTANT NOTICE!

There are no user serviceable parts inside this unit. Do not attempt any repairs yourself; doing so will void your manufactures warranty. Damages resulting from modifications to this fixture and/or the disregard of safety and general user instructions found in this user manual void the manufactures warranty and are not subject to any warranty claims and/or repairs.

LIMITED WARRANTY

A. Elation Professional® hereby warrants, to the original purchaser, Elation Professional® products to be free of manufacturing defects in material and workmanship for a period of two years (730 days), and Elation Professional® product rechargeable batteries to be free of manufacturing defects in material and workmanship for a period of six months (180 days), from the original date of purchase. This warranty excludes discharge lamps and all product accessories. This warranty shall be valid only if the product is purchased within the United States of America, including possessions and territories. It is the owner's responsibility to establish the date and place of purchase by acceptable evidence, at the time service is sought.

B. For warranty service, send the product only to the Elation Professional® factory. All shipping charges must be pre-paid. If the requested repairs or service (including parts replacement) are within the terms of this warranty, Elation Professional® will pay return shipping charges only to a designated point within the United States. If any product is sent, it must be shipped in its original package and packaging material. No accessories should be shipped with the product. If any accessories are shipped with the product, Elation Professional® shall have no liability what so ever for loss and/or damage to any such accessories, nor for the safe return thereof.

C. This warranty is void if the product serial number and/or labels are altered or removed; if the product is modified in any manner which Elation Professional® concludes, after inspection, affects the reliability of the product; if the product has been repaired or serviced by anyone other than the Elation Professional® factory unless prior written authorization was issued to purchaser by Elation Professional®; if the product is damaged because not properly maintained as set forth in the product instructions, guidelines and/or user manual.

D. This is not a service contract, and this warranty does not include any maintenance, cleaning or periodic check-up. During the periods as specified above, Elation Professional® will replace defective parts at its expense, and will absorb all expenses for warranty service and repair labor by reason of defects in material or workmanship. The sole responsibility of Elation Professional® under this warranty shall be limited to the repair of the product, or replacement thereof, including parts, at the sole discretion of Elation Professional®. All products covered by this warranty were manufactured after January 1, 1990, and bare identifying marks to that effect.

E. Elation Professional® reserves the right to make changes in design and/or performance improvements upon its products without any obligation to include these changes in any products theretofore manufactured.

F. No warranty, whether expressed or implied, is given or made with respect to any accessory supplied with the products described above. Except to the extent prohibited by applicable law, all implied warranties made by Elation Professional® in connection with this product, including warranties of merchantability or fitness, are limited in duration to the warranty periods set forth above. And no warranties, whether expressed or implied, including warranties of merchantability or fitness, shall apply to this product after said periods have expired. The consumer's and/or dealer's sole remedy shall be such repair or replacement as is expressly provided above; and under no circumstances shall Elation Professional® be liable for any loss and/or damage, direct and/or consequential, arising out of the use of, and/or the inability to use, this product.

G. This warranty is the only written warranty applicable to Elation Professional® products and supersedes all prior warranties and written descriptions of warranty terms and conditions heretofore published.

SAFETY INSTRUCTIONS



This fixture is an extremely sophisticated piece of electronic equipment. To guarantee a smooth operation, it is important to follow the guidelines in this manual. The manufacturer of this device will not accept responsibility for damages resulting from the misuse of this fixture due to the disregard of the information printed in this manual.



This device falls under **PROTECTION CLASS 1**. It's essential this device be grounded properly. Only qualified personnel should perform all electrical connections.



I N D O O R S U S E O N L Y !
DO NOT EXPOSE FIXTURE RAIN AND MOISTURE!



UNPLUG POWER BEFORE SERVICING FIXTURE!
DO NOT PLUG FIXTURE INTO A DIMMER PACK!
NEVER TOUCH FIXTURE DURING OPERATION, AS IT MAY BE HOT!



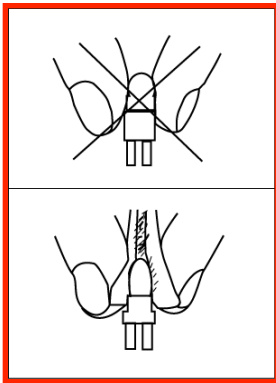
NEVER LOOK DIRECTLY INTO THE LIGHT SOURCE!
SENSITIVE PERSONS MAY SUFFER AN EPILEPTIC SHOCK!

- For proper operation, follow the **Installation** guidelines described in this manual. Only qualified and certified personnel should perform installation of this fixture and only the original rigging parts (brackets) included with this fixture should be used for installation. Any modifications will void the original manufacturer's warranty and increase the risk of damage and/or personal injury.
- Never look directly into the light source of this fixture to prevent risk of injury to your retina, which may induce blindness. Those suffering from **EPILEPSY** should avoid looking directly into the light source of this unit at all times.
- The fan and air inlets must remain clean and never blocked. Allow approx. 6" (15cm) between this fixture and other devices or a wall for proper cooling.
- Always disconnect from main power source before performing any type of service and/or cleaning procedure. Only handle the power cord by the plug end, never pull out the plug by tugging the wire portion of the cord.
- Do not operate this fixture if the power cord has become frayed, crimped and/or damaged. If the power cord is damaged, replace it immediately with a new one of similar power rating.

GENERAL GUIDELINES


- **NEVER OPEN THIS FIXTURE WHILE IN USE!**
- During the initial operation of this fixture, a light smoke or smell may emit from the interior of the fixture. This is a normal process and is caused by excess paint in the interior of the casing burning off from the heat associated with the lamp and will decrease gradually over time.
- This fixture is a professional lighting effect designed for **INDOOR / DRY LOCATIONS ONLY** on stage, in nightclubs, theatres, etc.
- Please make sure there are **NO FLAMMABLE MATERIALS** close to the fixture while operating, to prevent any fire hazard.
- The fixture must be installed in a location with adequate ventilation, at least 1.5 feet (.5m) from adjacent surfaces. Be sure no air ventilation slots are blocked.
- **DO NOT** attempt installation and/or operation without knowledge how to do so.
- **DO NOT** permit operation by persons who are not qualified to operate this type of fixture. Most damages are the result of operations by nonprofessionals.
- Consistent operational breaks may ensure the fixture will function properly for many years to come.
- **DO NOT** shake fixture, avoid brute force when installing and/or operating fixture.
- Always install the fixture with an appropriate safety cable. When installing the fixture in a suspended environment, always use mounting hardware that is no less than M10 x 25 mm, also be sure the hardware is insert in the pre-arranged screw holes in the bracket of the fixture.
- Use the original packaging and materials to transport the fixture in for service.
- **DO NOT TOUCH** the housing bare-hand during its operation. Turn OFF the power and allow approximately 15 minutes for the fixture to cool down before replacing or serving.

DISCHARGE LAMP WARNING



This fixture is fitted with a DISCHARGE LAMP, which is highly susceptible to damage if improperly handled. NEVER touch the lamp with your bare hands, as the oil from your hands will shorten the life of the lamp. Also, NEVER move the fixture until the lamp has had ample time to cool. Lamps are NOT covered under warranty conditions.

Avoid switching the fixture ON and OFF repeatedly in short intervals, as this will reduce lamp life and intensity. To achieve the intensity associated with discharge lamps, these lamps use gas sealed in a high-pressure environment to emit a brilliant output.

 Due to the high pressure involved with the construction of the lamp, the lamp **MAY EXPLODE DURING PROLONGED EXTENSIVE USE**. This risk is increased with age; added care is encouraged when dealing with older lamps. Thus, the lamp must always be replaced at the end of their recommended duty cycle. Extreme caution should be used when operating this or any fixture fitted with a gas discharge lamp.



U V R A D I A T I O N N O T I C E

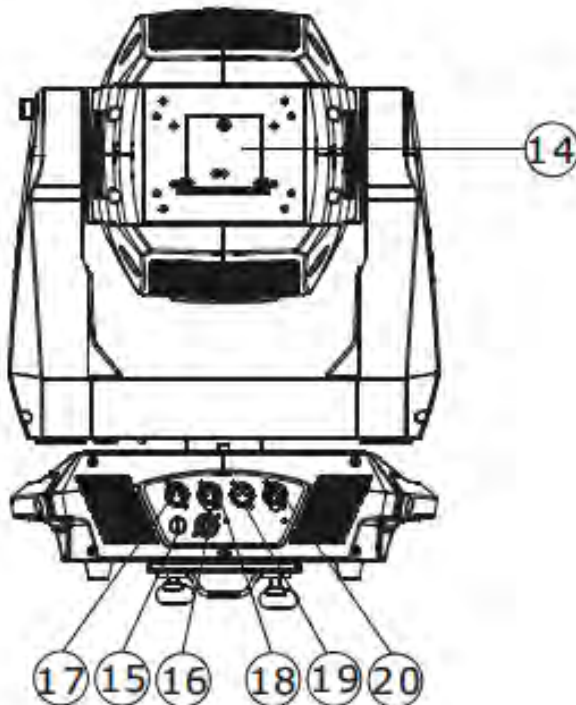
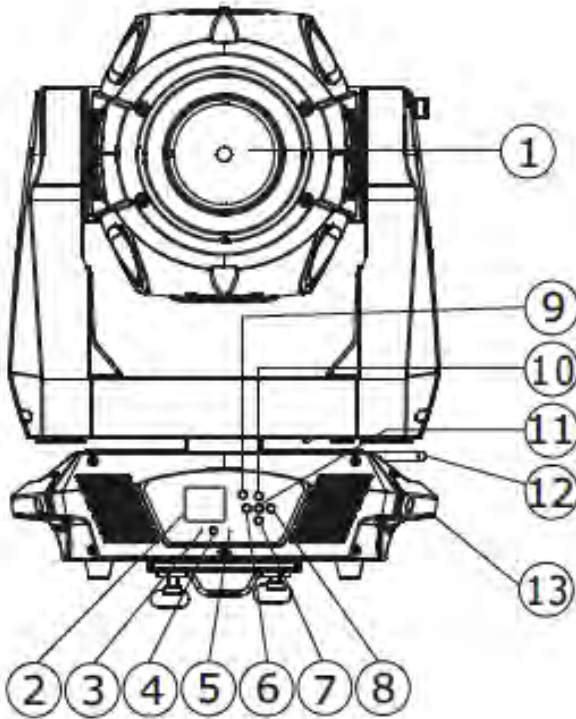
This fixture emits intense UV radiation, which is harmful to the eyes and skin. The intense luminance of the lamp can cause severe damage to the retina. NEVER operate this fixture with ANY of the protective covers removed. These covers have been specially designed to shield against UV radiation.



L A M P R E P L A C E M E N T

Please note that due to the nature of the Phillips™ Platinum 35R Lamp and the optical path of the fixture, the lamp **MUST BE** replaced at 750 hours. Use only Genuine Original Phillips™ platinum lamps. Other brand lamps may cause damage and void warranty!

FIXTURE OVERVIEW



- 1: Lens Assembly
- 2: LCD Menu Control Display
- 3: Wireless DMX Indicator
- 4: DC Switch
- 5: Microphone
- 6: LEFT Button
- 7: DOWN Button
- 8: RIGHT Button
- 9: MODE/ESC Button
- 10: UP Button
- 11: ENTER Button
- 12: Wireless DMX Antenna
- 13: Handle(s)
- 14: Lamp Access / Rear Panel
- 15: Fuse
- 16: Power IN (powerCON)
- 17: 5pin DMX IN
- 18: 5pin DMX OUT
- 19: 3pin DMX IN
- 20: 3pin DMX OUT

LAMP INSTALLATION INSTRUCTIONS



LAMP REPLACEMENT

Please note that due to the nature of the Phillips™ Platinum 35 Lamp and the optical path of the fixture, the lamp **MUST BE** replaced at 750 hours. Use only **Genuine Original Phillips™ Platinum 35 Lamps**. Other brand lamps may cause damage and void warranty!

INSTALLING OR REPLACING THE LAMP

To ensure a proper/safe lamp change, carefully read all the following instructions.

LAMP PROTECTION CIRCUITRY

Because of the nature of the extreme heat associated with the **Phillips™ Platinum 35** lamp and the tight nature of the internal optical system, it is **IMPERATIVE** that the lamp be replaced every **750 Hours**. This is done to protect the internal optical system as well as prevent accidental lamp explosion, which could lead to hot glass particles falling from the fixture.

 **FAILURE TO CHANGE THE LAMP AT THE 750 HOUR RATED LIFE, WILL CAUSE THE FIXTURE TO AUTOMATICALLY SHUT DOWN!**

At **750 Hours** the LCD control display will begin to flash, **“Replace The Lamp”** and the lamp will flicker for the first five minutes of operation. At this point the lamp has reached the maximum rated life and should be replaced immediately.

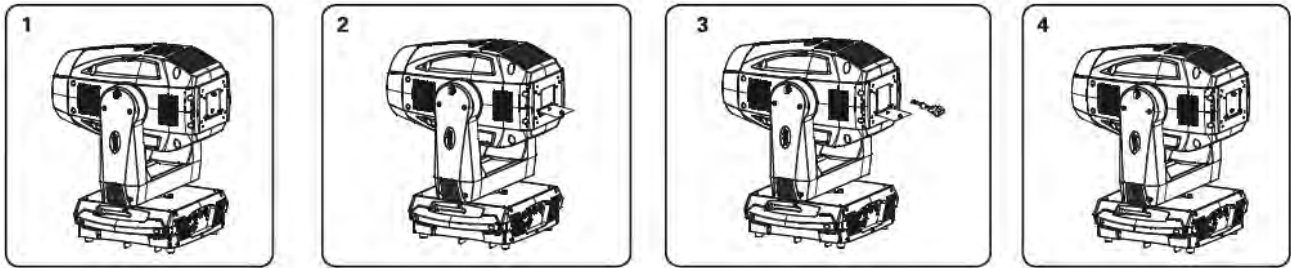
After 750 Hours the fixture will no longer respond to DMX commands and immediately enter a hibernation mode that will electronically discontinue all fixture functionality with the exception of a few menu commands. The fixture will continue to enter hibernation mode until the lamp is replaced and the lamp clock has been reset. To replace the lamp follow the safety guidelines and procedures listed on the next page.

 **THE PLATINUM 35 LAMP IS NOT A HOT-STRIKE TYPE LAMP!
YOU MUST WAIT APPROXIMATELY 10 MINUTES AFTER POWERING
THE LAMP OFF BEFORE YOU CAN POWER IT BACK ON AGAIN.**

LAMP SAFETY INSTRUCTIONS

- **ALWAYS** replace lamp every 750 Hours.
- Use only Genuine Original Phillips™ Platinum 35 lamps!
Other brand lamps may cause damage and void the warranty!
- NEVER touch the lamp with your bare hands!
Oil from your hands will shorten the life of the lamp.
- Always disconnect the fixture's main power supply before replacing lamp.
- Allow fixture to cool for at least 15 minutes before attempting any type of service.
- Make sure ALL covers/panels are replaced/secured before operating the fixture to prevent any risk and/or damage to eye retina from UV Radiation exposure!

LAMP INSTALLATION PROCEDURE



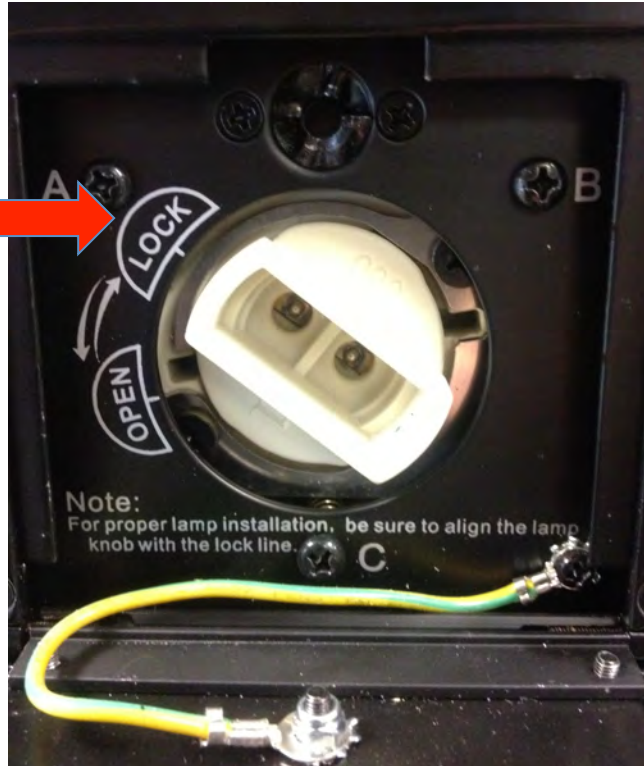
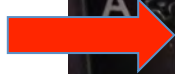
1. Place the fixture on a flat surface, turn the center screw on the rear cover plate counterclockwise and pull panel door down to access the lamp.



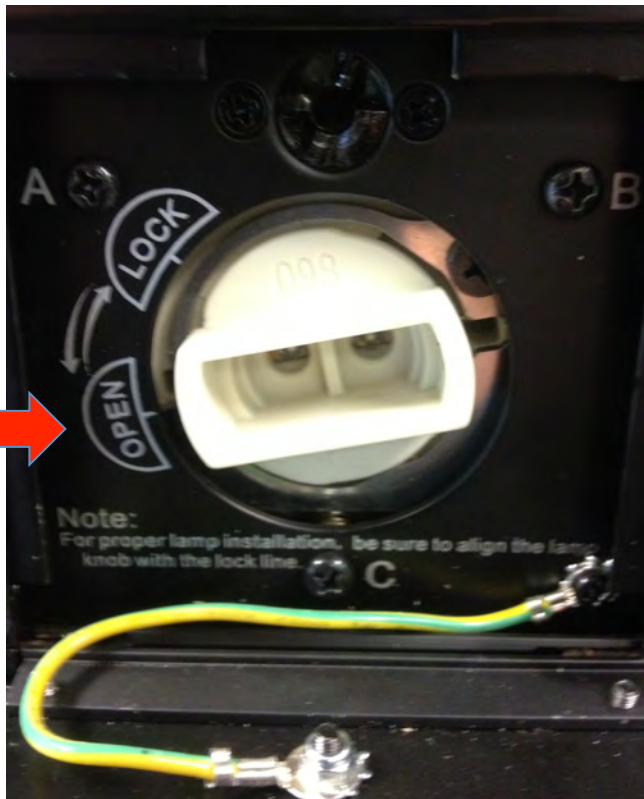
LAMP INSTALLATION PROCEDURE - [continued]

- Grab the base of the installed lamp and turn it from the **LOCK** position counterclockwise to the **OPEN** position, then carefully pull the lamp out from the fixture towards you.

**LOCK
POSITION**

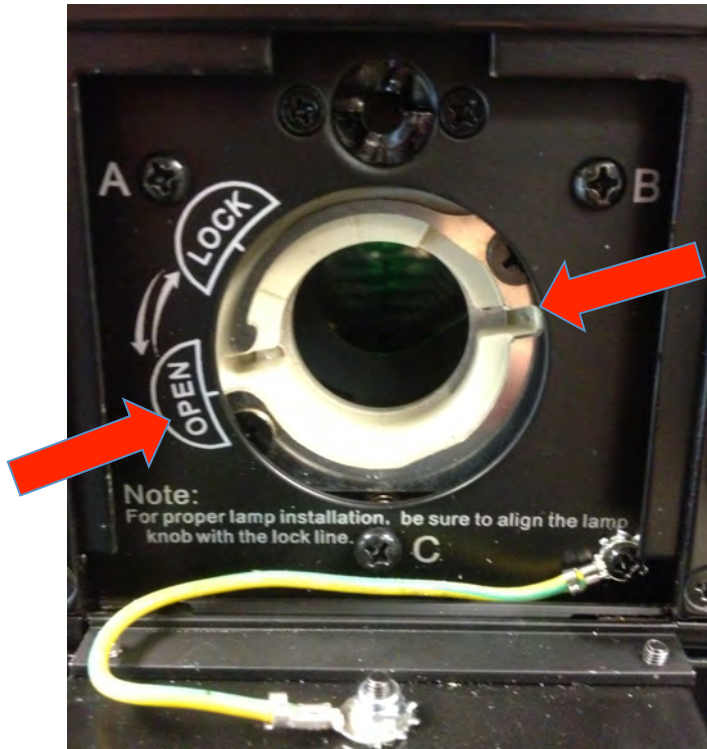
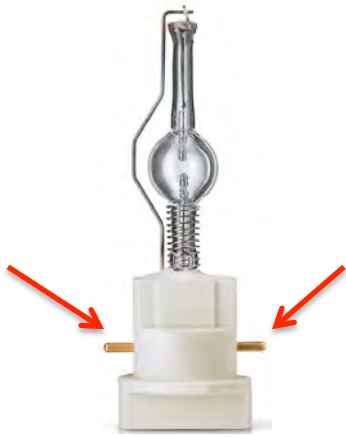


**OPEN
POSITION**

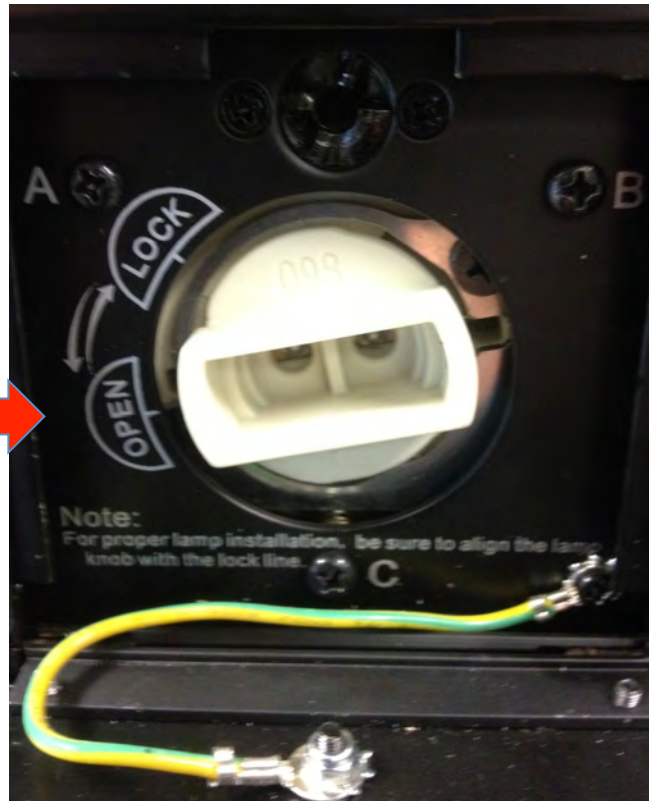


LAMP INSTALLATION PROCEDURE - [continued]

- Carefully insert the new lamp into the fixture, aligning the (2) gold pins on the lamp base with the **OPEN** position.

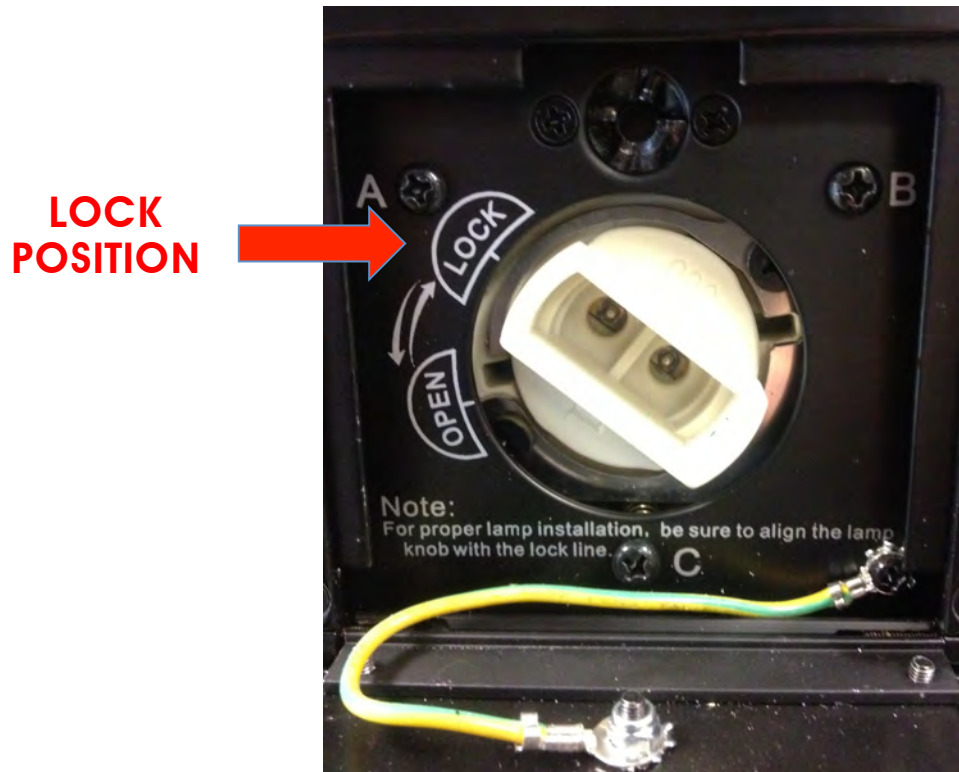


**OPEN
POSITION**



LAMP INSTALLATION PROCEDURE - [continued]

- Grab the base of the newly installed lamp and turn it from the **OPEN** position clockwise to the **LOCK** position, making sure the lamp is securely installed.

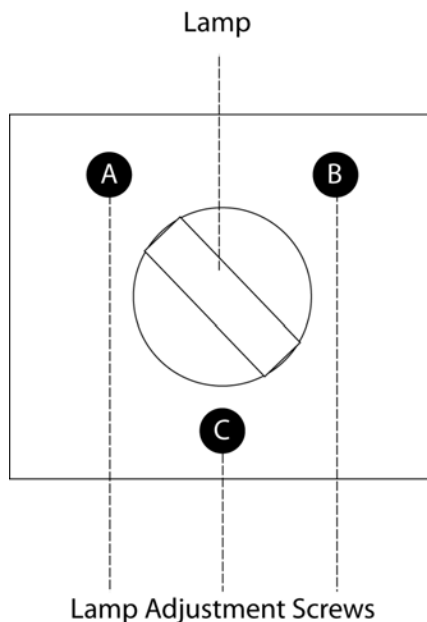


- Close rear cover plate and tighten screw clockwise.



LAMP OPTIMIZATION

1. Place fixture on a flat surface, set shutter and dimmer channels to a value of 255.
2. Focus spot on a flat wall or similar area so a clear view of light output can be seen.
3. Center the hot spot of the lamp (brightest part of the beam) using the **(3)** adjustment screws located under the rear cover plate labeled **A**, **B**, and **C** (see image below). Turn one screw at a time to move the hot spot diagonally across the projected image. If you cannot detect a hot spot, adjust the lamp until the light is even.
4. To reduce a hot spot, pull the lamp in by turning all (3) adjustment screws clockwise a 1/4-turn at a time until the light is evenly distributed.



FIXTURE INSTALLATION



FLAMMABLE MATERIAL WARNING

Keep fixture at least 5.0 ft (1.5m) away from any flammable materials, decorations, pyrotechnics, etc.



ELECTRICAL CONNECTIONS

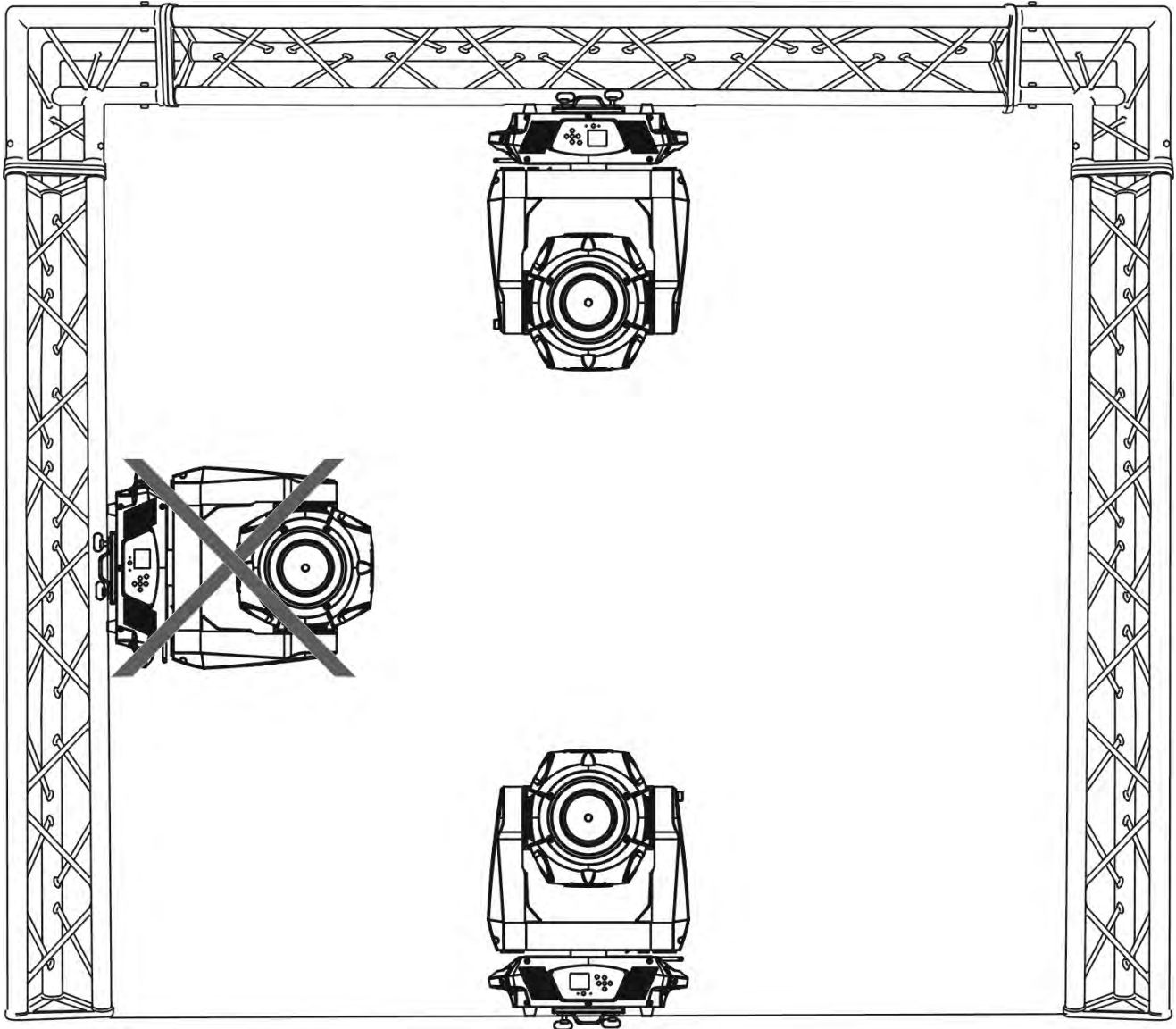
A qualified electrician should be used for all electrical connections and/or installations.

CAUTIONS

- For added protection, mount the fixture in areas outside walking paths, seating areas, or in areas where unauthorized personnel might reach the fixture.
- Ambient operating temperature range for this fixture is **14° to 113°F. (-10° to 45°C)**. Do not use the fixture under or above this temperature.
- Before mounting the fixture to any surface, make sure the installation area can hold a minimum point load of 10 times the weight of the fixture.
- Fixture installation must always be secured with a secondary safety attachment, such as an appropriate safety cable.
- Never stand directly below the device when mounting, removing or servicing.

MOUNTING POINTS

- Overhead mounting requires extensive experience, including amongst others calculating working load limits, installation material being used, and periodic safety inspection of all installation material and the device. If you lack these qualifications, do not attempt the installation yourself. Improper installation can result in bodily injury.
- Fixture is fully operational in the specific mounting positions as illustrated below.

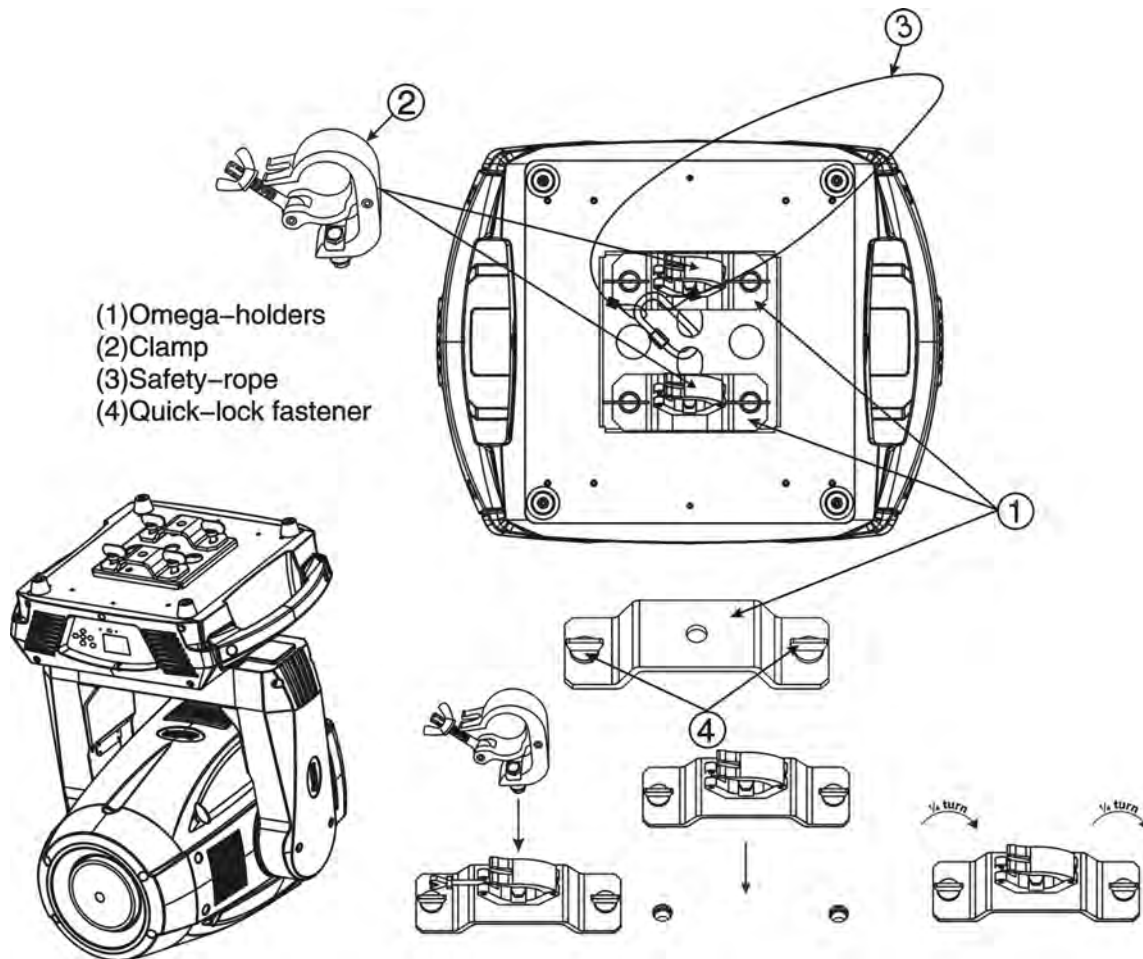


SAFETY CABLE

Always use a Safety Cable whenever installing this fixture in a suspended environment to ensure the fixture will not drop if the clamp fails.

CLAMP MOUNTING

The **PLATINUM SPOT 35 PRO™** provides a unique mounting bracket assembly that integrates the bottom of the base, the included **Omega Brackets (x2)** and safety cable rigging point in one unit (see the illustration below). When mounting this fixture to truss be sure to secure an appropriately rated clamps to the included omega brackets using a M10 screw fitted through the center hole of the **Omega Bracket**. Be sure to attach the included **Safety Cable** to the fixture using the safety cable rigging point integrated in the base assembly.



SECURING

Regardless of the rigging option you choose for your **PLATINUM SPOT 35 PRO™** always be sure to secure your fixture with a safety cable. The fixture provides a built-in rigging point for a safety cable on the hanging bracket as illustrated above. Be sure to only use the designated rigging point for the safety cable and never secure a safety cable to a carrying handle.

FIXTURE MENU ON-BOARD SYSTEM MENU

The **PLATINUM SPOT 35 PRO™** comes with an easy to navigate system menu. The next section will detail the functions of each command in the system menu.

LCD MENU CONTROL PANEL

The control panel (see image below) located on back of the fixture allows you to access the main menu and make all necessary adjustments to the **PLATINUM SPOT 35 PRO™**. During normal operation, pressing **MODE/ESC** button once will access the fixture's main menu. Once in the main menu you can navigate through the different functions and access the sub-menus with the **UP, DOWN, RIGHT, and LEFT** buttons. Once you reach a field that requires adjusting, press the **ENTER** button to activate that field and use the **UP** and **DOWN** buttons to adjust the field. Pressing the **ENTER** button once more will confirm your setting. You may exit the main menu at any time without making any adjustments by pressing the **MODE/ESC** button.

NOTE: To access the LCD Menu Control Display via the internal battery, press and hold the **DC SWITCH** button for 2 seconds. The LCD Menu Control Display will shut **OFF** automatically about 1 minute from the last button press. To shut **OFF** the LCD Menu Control Display immediately, set "**Reset Default**" menu option to "**ON**" in the "**Personality**" menu and press the **ENTER** button to confirm your selection



**ELATION© PLATINUM SPOT 35 PRO™
SYSTEM MENU - VERSION 1**

Specifications and features are subject to change without any prior written notice.

MAIN MENU	SUB MENU	OPTIONS / VALUES (Default Settings in BOLD)		DESCRIPTION	
FUNCTION	Set DMX Address	A001 ~ AXXX		DMX Address Setting	
	DMX Value	ALL.....		DMX Value Display	
	Slave Mode	Slave1, Slave2, Slave3		Slave Setting	
	Auto Program	Master / Alone		Auto Program	
	Sound Control	Master / Alone		Sound Control	
INFORMATION	Time Information	Current Time	XXXX (Hours)	Fixture Run Time From Power ON	
		Total Run Time	XXXX (Hours)	Fixture Total Run Time	
		Last Run Time	XXXX (Hours)	Clear Fixture Last Run Time	
		Lamp Hours	XXXX (Hours)	Lamp Total Run Time	
		Lamp Off Time	XXXX (Minutes)	Lamp OFF Time	
		LastRun Password	Password=XXX	Password 038	
		Clean Last Run	ON / OFF	Reset Fixture Last Run Time	
		LampTime Password	Password=XXX	Password 038	
	Clean Lamp Time	ON / OFF	Reset Lamp Run Time		
	Temperature Info	Head Temperature	XXX C° / F°	Temperature in Fixture Head	
Software Version	V1.0.0...		Software Version		
LAMP CONTROL	Lamp ON or OFF	ON/OFF		Lamp ON/OFF	
	Automatic Lamp ON/OFF	ON/OFF		Lamp ON/OFF when Power ON	
	Lamp ON via DMX	ON/OFF		Lamp ON via DMX	
	Lamp OFF via DMX	ON/OFF		Lamp OFF via DMX	
	Lamp ON at Temp	20~79°C (45°C) / 68 ~ 174°F (113°F)		Lamp ON at Temp	
	Lamp OFF at Temp	80~139°C (130°C) / 176 ~ 282°F (266°F)		Lamp OFF at Temp	
PERSONALITY	Status Settings	Address via DMX	ON/OFF	Address Via DMX	
		No DMX Status	Close/ Hold /Auto/Music	Auto Run If No DMX	
		Pan Reverse	ON/ OFF	Pan Reverse Movement	
		Tilt Reverse	ON/ OFF	Tilt Reverse Movement	
		Pan Degree	630/ 540 /540-90 Offset		Pan Degree Select
		Feedback	ON/OFF		Movement Feedback
		Movement Speed	Speed 1 ~ 4		Movement Mode Select
		Mic Sensitivity	0-99%		Sensitivity of Microphone
	Hibernation	OFF, 01M~99M, 15M		Stand By Mode	
	Service Setting	Password	Password=XXX		Service Password 050
		RDM PID	XXXXX		RDM PID Code
	Fans Control	Auto , High, Low		Fans Speed Select	
	Display Setting	Shutoff Time	02~60m 05m	Display Shut Off Time	
		Display Reverse	ON/ OFF		Display Reverse 180°
		Key Lock	ON/ OFF		Key Lock
	Temperature C/F	Celsius/Fahrenheit		Temperature Switch Between C° / F°	
	Initial Status	PAN =XXX		Initial Effect Position	
	Wireless DMX	WDMX OFF			Deactivate WDMX
		Activate WDMX			Activate WDMX
		Act & Data Out			Act & Data Out
Clean WDMX Memo				Reset Wireless DMX Memory	
Reset Default	ON/OFF		Restore Factory Settings		

ELATION© PLATINUM SPOT 35 PRO™ SYSTEM MENU - VERSION 1				
Specifications and features are subject to change without any prior written notice.				
MAIN MENU	SUB MENU	OPTIONS / VALUES (Default Settings in BOLD)		DESCRIPTION
Reset Function	Reset All			Reset All Motors
	Reset Pan/Tilt			Reset Pan/Tilt
	Reset Colors			Reset Color Wheel
	Reset Gobos			Reset Gobos
	Reset Shutter			Reset Shutter and/or Dimmer
	Reset Others			Reset Other Motors
Effect Adjust	Test Channel	PAN		Test function
	Manual Control	PAN =XXX,		Fine Adjustments
	Calibrate Values	Calibrate Password		Password 050
User Mode Set	User Mode	Standard Mode		DMX Channel Modes
		Basic Mode		
		Extended Mode		
		User Mode A		User Defined Channel Assignment
		User Mode B		
	User Mode C			
	Edit User Mode	Max Channel = XX		Edits User Defined Channel Assignments
PAN = CH01				
Edit Program	Select Programs	Auto Pro Part1 = Program 1~10 (Program 1)		Select Programs To Be Run
		Auto Pro Part2 = Program 1~10 (Program 2)		
		Auto Pro Part3 = Program 1~10 (Program 3)		
	Edit Program	Program 1	Program Test	Testing Program
		:	Step 01 =SCxxx	Program In Loop
		Program 10	Step 64 =SCxxx	Save and Exit
	Edit Scenes	Scene 001 ~ Scene 250	Pan,Tilt,.....	Save and Automatically Return
			--Fade Time-- --Scene Time--	Manual Scenes Edit
			Input By Outside	Stores Scenes via Ext DMX Console
	Record Controller	XX~XX	Automatic Scenes Recorder	

FUNCTION - Auto Program

Define fixture mode (**Master or Alone**) for running Auto Programs. Select desired internal programs under “**Select Program**”, set the number of steps under “**Edit Program**”, and edit individual scenes under “**Edit Scenes**”.

LAMP CONTROL

When the actual temperature around the Lamp becomes higher than the preset value, the Lamp will shut down within 5 minutes automatically.

- When the LCD menu displays “**Off**”, restrike of the Lamp **MUST** be done manually.
- When the LCD menu displays “**Hot**”, the actual temperature around the Lamp is still higher than the preset value and restrike of the Lamp is **NOT** possible.
- When the LCD menu displays the internal temperature with a lowercase letter “**c**” (**celsius**) or “**f**” (**fahrenheit**), the Lamp is ON but **NOT** at 100% full intensity.
- When the LCD menu displays the internal temperature with a capital letter “**C**” or “**F**”, the Lamp is ON and at 100% **FULL** intensity.



LAMP CONTROL - Lamp ON or OFF

When ON, manual control of lamp power can be accessed via system menu. This menu item controls the LAMP ON/OFF software command only. Striking of the lamp via the system menu can only occur when the LAMP ON/OFF is set to ON, and the actual temperature around the lamp is lower than the limited value.

LAMP CONTROL - Automatic Lamp ON/OFF

When ON, lamp is automatically powered ON when power is applied to fixture.

LAMP CONTROL - Lamp ON via DMX

When ON, lamp can be powered ON via a DMX controller.

LAMP CONTROL - Lamp OFF via DMX

When ON, lamp can be powered OFF via a DMX controller.

LAMP CONTROL - Lamp ON at Temp

The fixture is designed to shut the lamp OFF when an excessive temperature is sensed inside the head by the on-board CPU. The lamp is shut OFF to prevent damage to the lamp and avoid possible internal damage to the fixture head. This function sets the MIN internal operating temperature of the fixture head before the lamp will restrike after the lamp has been automatically shut OFF.

LAMP CONTROL - Lamp OFF at Temp

The fixture is designed to shut the lamp OFF when an excessive temperature is sensed inside the head by the on-board CPU. The lamp is shut OFF to prevent damage to the lamp and avoid possible internal damage to the fixture head. This function sets the MAX internal operating temperature of the fixture head when the lamp will automatically be shut OFF.



WHEN THE TEMPERATURE AROUND THE LAMP IS HIGHER THAN THE PRESET VALUE CONTINUOUSLY FOR UP TO 5 MINUTES, THE LAMP WILL SHUT OFF AUTOMATICALLY. WHEN THIS HAPPENS YOU CANNOT RE-STRIKE THE LAMP AGAIN AUTOMATICALLY, YOU MUST RE-STRIKE THE LAMP MANUALLY.

PERSONALITY - Status Settings - Address Via DMX

When ON, define the desired DMX address via an external controller.

1. Connect the fixture to the external controller and power ON.
2. Set the DMX value of **Channel 1** on the controller to **(7)**.
3. Set the DMX value of **Channel 2** on the controller to **(7)** or **(8)**.
When set to **(7)**, the DMX address can be set between **(1)** and **(255)**.
When set to **(8)**, the DMX address can be set between **(256)** and **(511)**.
4. Using **Channel 3** on the controller set the desired DMX address of the fixture.

Example 1:

If the desired DMX address is **57**, set **Channel 1** to a value of **(7)**, set **Channel 2** to a value of **(7)**, and then set **Channel 3** to a value of **(57)**.

Example 2:

If the desired DMX address is **420**, set **Channel 1** to a value of **(7)**, set **Channel 2** to a value of **(8)**, and then set **Channel 3** to a value of **(164)**. ($256+164=420$)

5. After setting **Channel 3** to the desired DMX address value, wait for approximately 20 seconds for the fixture to complete the address reset function.

PERSONALITY – Service Setting - RDM PID

Select various submenus via RDM.

RDM stands for "Remote Device Management", which provides the ability to control the device remotely while connected to a DMX-bus. ANSI E1.20-2006 by ESTA specifies the RDM standard as an extension of the DMX512 protocol. Manual settings like adjusting the DMX starting address are no longer needed. This is especially useful when the device is installed in a remote area.

RDM ready and conventional DMX devices can be operated in one DMX line. The RDM protocol sends its own packages in the DMX512 data feed and does not influence conventional devices. If DMX splitters are used and RDM control is to be used, these splitters must support RDM. The number and type of RDM parameters depend on the RDM controller being used.

PERSONALITY - Display Setting – Key Lock

When ON, Control Panel buttons lock automatically after exiting main menu for 15 seconds. To unlock, keep **MODE/ESC** button pressed for 3 seconds.

EFFECT ADJUST – Test Channel

Select and auto test each individual channel function independently from the DMX control board.

EFFECT ADJUST – Manual Control

Select and manually test and fine adjust each individual channel function independently from DMX control board. This function will center PAN and TILT motors and set dimmer to 100%. PAN and TILT functions will still operate if the fixture needs to be positioned to a flat clear surface. With the individual functions, you can focus the light on a flat surface (wall) and perform fine adjustments.

EFFECT ADJUST – Calibration

ONLY QUALIFIED TECHNICIANS SHOULD PERFORM THIS FUNCTION.

This function allows small adjustments to be made to the effect wheels (Color, Gobo, Shutter, etc.) to compensate for wear or in the event a sensor has been knocked slightly out of place. Because improper use of this function can result in undesired operation this function has been password protected. The password is **050** and must be entered each time the calibration menu function is entered. Because calibration is an extremely delicate procedure, instructions on performing this action are left out of this manual. For a first time calibrator, please contact our customer support team for step-by-step instructions.

USER MODE SET – User Mode

Select operating mode, which includes DMX Channel and User defined modes.

USER MODE SET – Edit User Mode

Create user defined channel orders allowing the fixture to match the channel order of other fixtures on the market for easier operation. A total of three user modes may be configured: User Mode A, User Mode B, and User Mode C.

EDIT PROGRAM – Select Program

Select one of the (10) user defined internal Auto Programs.

EDIT PROGRAM – Edit Program

Edit any of the (10) user defined internal Auto Programs.

EDIT PROGRAM – Edit Scenes

Edit any of the scenes of the internal Auto Programs.

EDIT PROGRAM – Record Controller

The fixture features an integrated DMX-recorder by which you can transmit the programmed scenes from your DMX-controller to the moving head. Adjust the desired scene numbers via the encoder (from – to). When you call up the scenes at your controller, they will automatically be transmitted to the moving head.

EDIT PROGRAM – Record Controller – Working With Built In Programs

A Master unit can send up to 3 different data groups to the Slave units, i.e. a Master unit can start 3 different Slave units, which run 3 different programs. The Master unit sends the 3 program parts in a continuous loop.



The Slave unit receives data from the Master unit according to the group which the Slave unit was assigned to. If e.g. a Slave unit is set to “**Slave 1**” in the menu “**Set to Slave**”, the Master unit sends “**Auto Program Part 1**” to the Slave unit.

If set to “**Slave 2**”, the Slave unit receives “**Auto Program Part 2**”.

To start an Auto Program proceed as follows:

1. Slave Setting

- Select “**Function Mode**”.
- Press **ENTER** to confirm.
- Select “**Set to Slave**”.
- Press **ENTER** to confirm.
- Select “**Slave 1**”, “**Slave 2**” or “**Slave 3**”.
- Press **ENTER** to confirm.
- Press **MODE/ESC** in order to return to the main menu.

2. Automatic Program Run

- Select “**Function Mode**”.
- Press **ENTER** to confirm.
- Select “**Auto Program**”.
- Press **ENTER** to confirm.
- Select “**Master**” or “**Alone**”.
- Press **ENTER** to confirm.
- Press **MODE/ESC** in order to return to the main menu.

EDIT PROGRAM – Record Controller – Working With Built-In Program [continued]

3. Program Selection for Auto Pro Part

- Select “**Edit Program**”.
- Press **ENTER** to confirm.
- Select “**Select Programs**”.
- Press **ENTER** to confirm.
- Select “**Auto Pro Part 1**”, “**Auto Pro Part 2**” or “**Auto Pro Part 3**”, and select which Slave program is to be sent. Selection “**Part 1**” means, that the Slave unit runs the same program as the master units.
- Press **ENTER** to confirm.
- Press **MODE/ESC** in order to return to the main menu.

4. Program Selection for Edit Program

- Select “**Edit Program**”.
- Press **ENTER** to confirm.
- Select “**Edit Program**”.
- Press **ENTER** to confirm.
- Select the desired program. You can edit specific scenes into a specific program.
- Press **ENTER** to confirm.
- Press **MODE/ESC** in order to return to the main menu.

5. Automatic Scene Recording

- Select “**Edit Program**”.
- Press **ENTER** to confirm.
- Select “**Edit Scenes**”.
- Select desired scene numbers. A maximum of 250 scenes can be programmed.
- Press **ENTER** to confirm.
- Press **MODE/ESC** in order to return to the main menu.

EDIT PROGRAM – Record Controller – Working With Built-In Program [continued]

Example:

Program 2 includes scenes: 10, 11, 12, & 13

Program 4 includes scenes: 8, 9, & 10

Program 6 includes scenes: 12, 13, 14, & 15

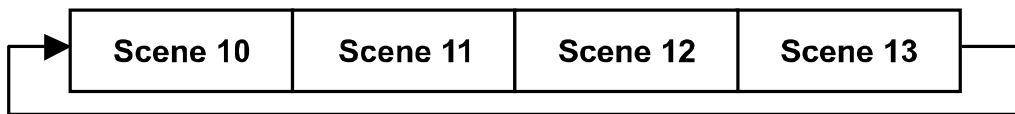
Auto Pro Part 1 is Program 2

Auto Pro Part 2 is Program 3

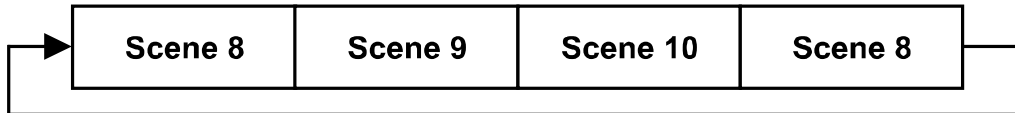
Auto Pro Part 3 is Program 6

The 3 Slave groups run the Auto Program in certain time segments. (See below)

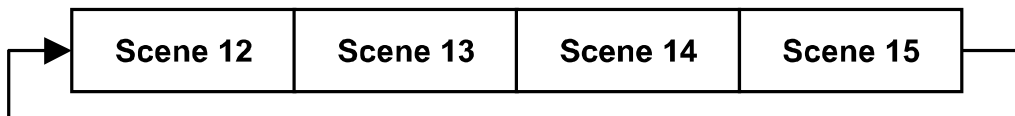
Part 1:



Part 2:



Part 3:



WDMX INTERNAL WIRELESS DMX RECEIVER SET UP

The **PATINUM SPOT 35 PRO™** is equipped with an internal Wireless DMX Receiver, which is fully compatible with an **Elation** Wireless DMX System. Access the “**Wireless DMX**” sub menu from the “**PERSONALITY**” menu, and then select the desired WDMX connection function, which includes:

WDMX Off - Turn OFF Wireless DMX

Activate WDMX - Turn ON Wireless DMX

Act & Data Out - Turn ON Wireless DMX and send DMX data to wired 3/5pin outputs

Clean WDMX Memo - Clear WDMX memory

When the **WDMX** system is “**Activated**” the internal DMX “**IN**” XLR jacks are OFF. However the internal DMX “**OUT**” XLR jacks will function normally. If the fixture is powered ON with the internal **WDMX** system “**Activated**”, it will automatically scan for a wireless DMX signal from an **Elation Wireless Transmitter**.

 If **NO** wireless signal is received, it will electronically switch to the wired DMX mode.



W A R N I N G !

NEVER connect a fixture to a controller via a DMX cable when the WDMX system is in use. This could cause serious damage to the controller!!

SETTING UP THE WDMX SYSTEM

Follow the instructions included with the **Elation EWDMX Transmitter** and connect it to the output of your DMX controller.

To sync your fixture with the **Elation EWDMX Transmitter** follow the steps below

- Initially, the **Wireless Indicator** on the fixture control panel should be solid **RED**.
- Press and hold the configuration button on your **EWDMX Transmitter** for about 3 seconds. The **RED/GREEN LED** indicators on the **EWDMX Transmitter** and the fixture should begin to flash rapidly for about 5-10 seconds while the two systems pair.
- Once the fixture is paired with the **EWDMX Transmitter (T1)**, the **Wireless** status indicators on the both the fixture and the **EWDMX Transmitter** will stop flashing and glow solid **GREEN**. If pairing is unsuccessful repeat the process until pairing is secured.
- The fixture will store the pairing information inside a nondestructive memory bank once a link is created between the fixture and an **EWDMX Transmitter**. The fixture will remember the paired **EWDMX Transmitter** even if the fixture is turned OFF for extended periods of time.

CLEARING EWDMX TRANSMITTER LINK

- Access the “**Wireless DMX**” sub menu from the “**PERSONALITY**” menu, and then select “**Clear WDMX Memo**” to clear any existing link between the fixture and a **EWDMX Transmitter**. The **Wireless** indicator on the fixture will turn solid **RED** when the link is severed.
- You may also clear the link directly from the **EWDMX Transmitter**. First, be sure the fixture(s) is powered ON, and then hold down the configuration button on the **EWDMX Transmitter** for at least 5 seconds. This will automatically clear the link between the **EWDMX Transmitter** and any fixture that is powered ON. All **EWDMX** indicators will glow solid **RED** if the procedure was successful.

FIXTURE WIRELESS INDICATOR

RED/GREEN (Rapid Flashing) = Syncing to an EWDMX Transmitter.

RED/GREEN (Slow Flashing) = Paired with an EWDMX Transmitter but not receiving a DMX signal from a controller.

GREEN (Solid) = Paired with an EWDMX Transmitter and receiving DMX data.

RED (Solid) = Not paired with an EWDMX Transmitter (FREE).

DMX CHANNEL FUNCTIONS AND VALUES

ELATION® PLATINUM SPOT 35 PRO™			
DMX Channel Values / Functions - VERSION 1 (41 DMX Channels)			
Specifications are subject to change without any prior written notice.			
*Rotation direction (Clockwise or Counterclockwise) of COLOR, GOBO, and PRISM effects depends on orientation of the fixture head.			
MODE / CHANNEL			FUNCTION
BASIC	STAND	EXTEND	VALUE
1	1	1	
			0-255
	2	2	
			0-255
2	3	3	
			0-255
	4	4	
			0-255
3	5	5	
			0-13
			14-27
			28-41
			42-55
			56-69
			70-83
			84-97
			98-111
			112-127
			128-189
			190-193
			194-255
	0-255		
4	6	7	
			0-255
		8	
			0-255
5	7	9	
			0-255
		10	
			0-255
6	8	11	
			0-255
		12	
			0-255
7	9	13	
			0-255
		14	
			0-255

ELATION® PLATINUM SPOT 35 PRO™				
DMX Channel Values / Functions - VERSION 1 (41 DMX Channels)				
Specifications are subject to change without any prior written notice.				
*Rotation direction (Clockwise or Counterclockwise) of COLOR, GOBO, and PRISM effects depends on orientation of the fixture head.				
MODE / CHANNEL			FUNCTION	
BASIC	STAND	EXTEND		
8	10	15	ROTATING GOBOS, CONTINUOUS ROTATION [GOBO WHEEL 1]	
			0-9	OPEN
			10-19	Rotating Gobo 1
			20-29	Rotating Gobo 2
			30-39	Rotating Gobo 3
			40-49	Rotating Gobo 4
			50-59	Rotating Gobo 5
			60-69	Rotating Gobo 6
			70-89	Gobo 1 Shake SLOW to FAST
			90-109	Gobo 2 Shake SLOW to FAST
			110-129	Gobo 3 Shake SLOW to FAST
			130-149	Gobo 4 Shake SLOW to FAST
			150-169	Gobo 5 Shake SLOW to FAST
			170-189	Gobo 6 Shake SLOW to FAST
			190-221	*Clockwise Gobo Wheel Rotation from FAST to SLOW
			222-223	NO Rotation
224-255	*Counterclockwise Gobo Wheel Rotation from SLOW to FAST			
9	11	16	ROTATING GOBOS, INDEX ROTATION [GOBO WHEEL 1]	
			0-127	Gobo Indexing
			128-189	*Clockwise Gobo Rotation from FAST TO SLOW
			190-193	NO Rotation
			194-255	*Counterclockwise Gobo Rotation from SLOW to FAST
		17	ROTATING GOBOS, FINE INDEX ROTATION [GOBO WHEEL 1]	
			0-255	Gobo Rotation FINE Indexing
10	12	18	ROTATING GOBOS, CONTINUOUS ROTATION [GOBO WHEEL 2]	
			0-9	OPEN
			10-19	Rotating Gobo 1
			20-29	Rotating Gobo 2
			30-39	Rotating Gobo 3
			40-49	Rotating Gobo 4
			50-59	Rotating Gobo 5
			60-69	Rotating Gobo 6
			70-89	Gobo 1 Shake SLOW to FAST
			90-109	Gobo 2 Shake SLOW to FAST
			110-129	Gobo 3 Shake SLOW to FAST
			130-149	Gobo 4 Shake SLOW to FAST
			150-169	Gobo 5 Shake SLOW to FAST
			170-189	Gobo 6 Shake SLOW to FAST
			190-221	*Clockwise Gobo Wheel Rotation from FAST to SLOW
			222-223	NO Rotation
224-255	*Counterclockwise Gobo Wheel Rotation from SLOW to FAST			
11	13	19	ROTATING GOBOS, INDEX ROTATION [GOBO WHEEL 2]	
			0-127	Gobo Indexing
			128-189	*Clockwise Gobo Rotation from FAST TO SLOW
			190-193	NO Rotation
			194-255	*Counterclockwise Gobo Rotation from SLOW to FAST
		20	ROTATING GOBOS, FINE INDEX ROTATION [GOBO WHEEL 2]	
			0-255	Gobo Rotation FINE Indexing

ELATION® PLATINUM SPOT 35 PRO™			
DMX Channel Values / Functions - VERSION 1 (41 DMX Channels)			
Specifications are subject to change without any prior written notice.			
*Rotation direction (Clockwise or Counterclockwise) of COLOR, GOBO, and PRISM effects depends on orientation of the fixture head.			
MODE / CHANNEL			FUNCTION
BASIC	STAND	EXTEND	
12	14	21	ROTATING PRISM, PRISM / GOBO MACROS
			0-63 OPEN
			64-127 3-Facet Prism
			128-135 Gobo Macro 1
			136-143 Gobo Macro 2
			144-151 Gobo Macro 3
			152-159 Gobo Macro 4
			160-167 Gobo Macro 5
			168-175 Gobo Macro 6
			176-183 Gobo Macro 7
			184-191 Gobo Macro 8
			192-199 Gobo Macro 9
			200-207 Gobo Macro 10
			208-215 Gobo Macro 11
			216-223 Gobo Macro 12
			224-231 Gobo Macro 13
			232-239 Gobo Macro 14
240-247 Gobo Macro 15			
248-255 Gobo Macro 16			
13	15	22	ROTATING PRISM, INDEX ROTATION
			0-127 Prism Indexing
			128-189 *Clockwise Prism Rotation from FAST to SLOW
			190-193 NO Rotation
			194-255 *Counterclockwise Prism Rotation from SLOW to FAST
		23	ROTATING PRISM, FINE INDEX ROTATION
			0-255 Prism FINE Indexing
14	16	24	FOCUS
			0-255 Continuous Adjustment from NEAR to FAR
		25	FOCUS FINE
			0-255 Continuous FINE Focus Adjustment
15	17	26	MOTORIZED ZOOM
			0-255 ZOOM Adjustment from SMALL to BIG
		27	MOTORIZED ZOOM FINE
			0-255 ZOOM FINE Adjustment
16	18	28	AUTO FOCUS
			0-15 Auto Focus OFF
			16-31 5m
			32-47 7.5m
			48-255 10m
17	19	29	AUTO FOCUS FINE
			0-255 Continuous FINE Auto Focus Adjustment

ELATION® PLATINUM SPOT 35 PRO™			
DMX Channel Values / Functions - VERSION 1 (41 DMX Channels)			
Specifications are subject to change without any prior written notice.			
*Rotation direction (Clockwise or Counterclockwise) of COLOR, GOBO, and PRISM effects depends on orientation of the fixture head.			
MODE / CHANNEL			VALUE
BASIC	STAND	EXTEND	FUNCTION
18	20	30	
			0-31
			32-63
			64-95
			96-127
			128-159
			160-191
			192-223
224-255			
19	21	31	
			0-255
		32	
			0-255
20	22	33	
			0-191
			192-223
			224-255
		34	
			0-255
21	23	35	
			0-127
			128-255
22	24	36	
			0-7
			8-127
			128-135
			136-255
23	25	37	
			0-255

ELATION® PLATINUM SPOT 35 PRO™			
DMX Channel Values / Functions - VERSION 1 (41 DMX Channels)			
Specifications are subject to change without any prior written notice.			
*Rotation direction (Clockwise or Counterclockwise) of COLOR, GOBO, and PRISM effects depends on orientation of the fixture head.			
MODE / CHANNEL			FUNCTION
BASIC	STAND	EXTEND	VALUE
24	26	38	
			CMY & COLOR WHEEL MACROS
			0-7
			8-15
			16-23
			24-31
			32-39
			40-47
			48-55
			56-63
			64-71
			72-79
			80-87
			88-95
			96-103
			104-111
			112-119
			120-127
			128-135
			136-143
			144-151
			152-159
			160-167
			168-175
			176-183
			184-191
			192-199
			200-207
			208-215
			216-223
224-231			
232-239			
240-247			
248-255			
25	27	39	
			PAN / TILT MOVEMENT SPEED
			0-225
			226-235
			236-245
246-255			
26	28	40	
			PAN / TILT MOVEMENT MODE
			0-31
			32-63
64-255			

ELATION® PLATINUM SPOT 35 PRO™				
DMX Channel Values / Functions - VERSION 1 (41 DMX Channels)				
Specifications are subject to change without any prior written notice.				
*Rotation direction (Clockwise or Counterclockwise) of COLOR, GOBO, and PRISM effects depends on orientation of the fixture head.				
MODE / CHANNEL			VALUE	FUNCTION
BASIC	STAND	EXTEND		
27	29	41		LAMP ON/OFF, RESET, INTERNAL PROGRAMS
			0-19	Color & Gobo Change Normal
			20-29	Color Change to Any Position
			30-39	Color & Gobo Change to Any Position
			40-59	Lamp ON
			60-79	Lamp Switch OFF
			80-84	ALL Motor Reset
			85-87	SCAN Motor Reset
			88-90	COLORS Motor Reset
			91-93	GOBOS Motor Reset
			94-96	SHUTTER & DIMMER Motor Reset
			97-99	OTHER Motor Reset
			100-119	Internal Program 1 (Scene 1-8)
			120-139	Internal Program 2 (Scene 9-16)
			140-159	Internal Program 3 (Scene 17-24)
			160-179	Internal Program 4 (Scene 25-32)
			180-199	Internal Program 5 (Scene 33-40)
			200-219	Internal Program 6 (Scene 41-48)
			220-239	Internal Program 7 (Scene 49-56)
			240-255	Music Control (Scene of Program 1)

ERROR CODES

When power is applied, the unit will automatically enter a **“Reset/Test”** mode. This mode brings all the internal motors to a home position. If there is an internal problem with one or more of the motors an error code will flash in the display in the form of **“XXer”** where as XX will represent a function number. For example, when the display shows **“0Er”** it means there is some type of error with the Pan motor. If there are multiple errors during the start-up process they will all flash in the display. For example: if the fixtures has errors on **Channel 1, 2, and 5** all at the same time, you will see the error message **“01Er”, “02Er”, and “05Er”** flash repeated 5 times.

If an error does occur during the initial start-up procedure the fixture will self-generate a second reset signal and try to realign all the motors and correct the errors. If the error persists after a second attempt a third attempt will be made. If after a third attempt all the errors have not been corrected the fixture will make the following determinations:

- **3 or More Errors** - The fixture cannot function properly with three or more errors therefore the fixture will place itself in a stand-by mode until subsequent repairs can be made.
- **Less Than 3 Errors** - The fixture has less than 3 errors; therefore most other functions will work properly. The fixture will attempt to operate normally until the errors can be correct by a technician. The errors in question will remain flashing in the display as a reminder of internal errors.

Pan Movement Er	Cyan Color Wheel Er
Tilt Movement Er	Magenta Color Wheel Er
Gobo Wheel 1 Er	Yellow Color Wheel Er
Gobo Rot 1 Er	CTO Color Wheel Er
Gobo Wheel 2 Er	Color Wheel Er
Gobo Rot. 2 Er	Zoom Er
Focus Er	Iris Er
Animation Er	

CLEANING AND MAINTENANCE



C A U T I O N

Disconnect power before cleaning or maintenance.

CLEANING

Frequent cleaning is recommended to insure proper function, optimized light output, and an extended life. The frequency of cleaning depends on the environment in which the fixture operates: damp, smoky or particularly dirty environments can cause greater accumulation of dirt on the fixture's optics.

- Clean the external lens surface at least every 20 days with a soft cloth to avoid dirt/debris accumulation.
- Never use alcohol, solvents, or ammonia based cleaners.

MAINTENANCE

Regular inspections are recommended to insure proper function and extended life. There are no user serviceable parts inside this fixture, please refer all other service issues to an authorized Elation service technician. Should you need any spare parts, please order genuine parts from your local Elation dealer.

Please refer to the following points during routine inspections:

- A detailed electric check by an approved electrical engineer every three months, to make sure the circuit contacts are in good condition and prevent overheating.
- Be sure all screws and fasteners are securely tightened at all times. Loose screws may fall out during normal operation resulting in damage or injury as larger parts could fall.
- Check for any deformations on the housing, color lenses, rigging hardware and rigging points (ceiling, suspension, trussing). Deformations in the housing could allow for dust to enter into the fixture. Damaged rigging points or unsecured rigging could cause the fixture to fall and seriously injure a person(s).
- Electric power supply cables must not show any damage, material fatigue or sediments. Never remove the ground prong from the power cable.

TECHNICAL SPECIFICATIONS

SOURCE

800-Watt Platinum 35 Lamp
>20,000 Lumens, 7,800k, >75 CRI
750-Hour Average Life*

*May vary depending on several factors including but not limited to:
Environmental Conditions, Power/Voltage, Usage Patterns (On-Off Cycling), Control, and Dimming.

EFFECTS

Bi-Directional Animation Effect
3-Facet Rotating-Indexing Prism and Frost Filter
Mechanical Dimming: 0% - 100%
High Speed Mechanical Shutter / Strobe / Iris

COLOR

8 Interchangeable Dichroic Colors Including UV
CMY Color Mixing
CTO & CTB Color Correction

GOBOS

2 Rotating Gobo Wheels
12 Interchangeable, Rotating-Indexing Glass Gobos

CONTROL / CONNECTIONS

3 DMX Channel Modes (27 / 29 / 41)
6-Button Touch Control Panel
Full Color 180° Reversible LCD Menu Display
16 Bit Resolution Adjustable Movement
3pin and 5pin DMX In/Out
powerCON Power In

SIZE / WEIGHT

Length: 17.6" (477mm)
Width: 20.0" (507mm)
Vertical Height: 28.6" (727mm)
Weight: 79.0 lbs. (36 kg)

ELECTRICAL / THERMAL

AC 100-240V - 50/60Hz
1,200W Max Power Consumption
14°F to 113°F (-10°C to 45°C)

APPROVALS / RATINGS

CE | cETLus | RoHs | IP20



Intertek
3104374

Please Note: Specifications and improvements in the design of this unit and this manual are subject to change without any prior written notice.

COLORS & GOBOS*

*Not To Scale - For Illustrations Purposes Only - Subject To Change Without Notice

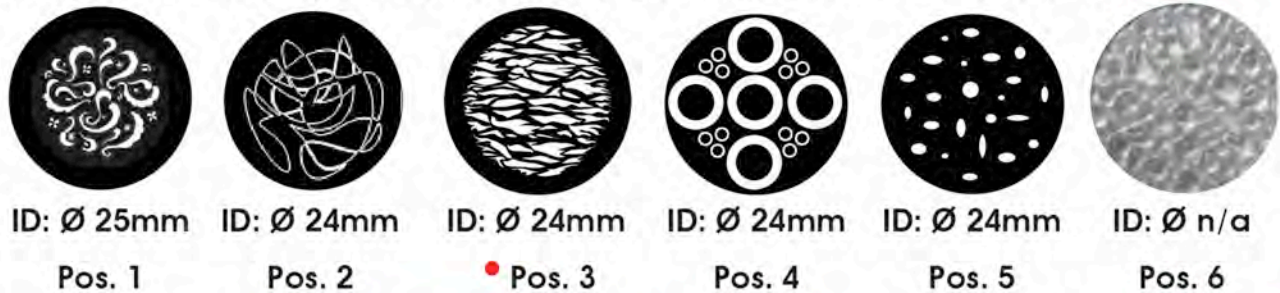
COLOR WHEEL 1



COLOR FLAGS



ROTATING - INTERCHANGEABLE GOBO WHEEL 1 - OD: Ø28.8mm**



ROTATING - INTERCHANGEABLE GOBO WHEEL 2 - OD: Ø28.8mm**



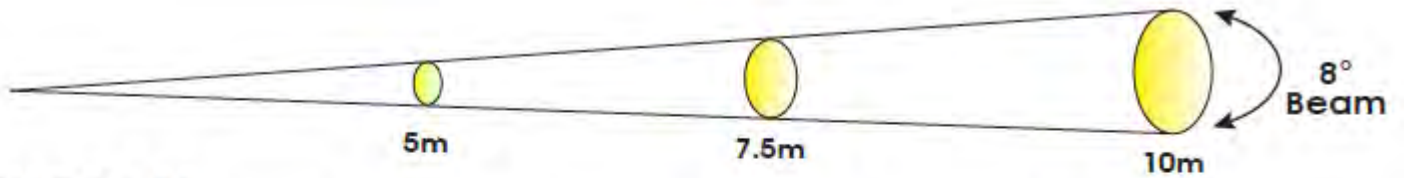
**IMPORTANT NOTICE REGARDING GOBO DIMENSIONS AND CUSTOM GOBOS

OD = Outside Diameter | ID = Image Diameter

Due to varying manufacturing processes, it is highly recommended to provide a gobo and holder sample from the fixture to 3rd party custom gobo vendors for accurate sizing.

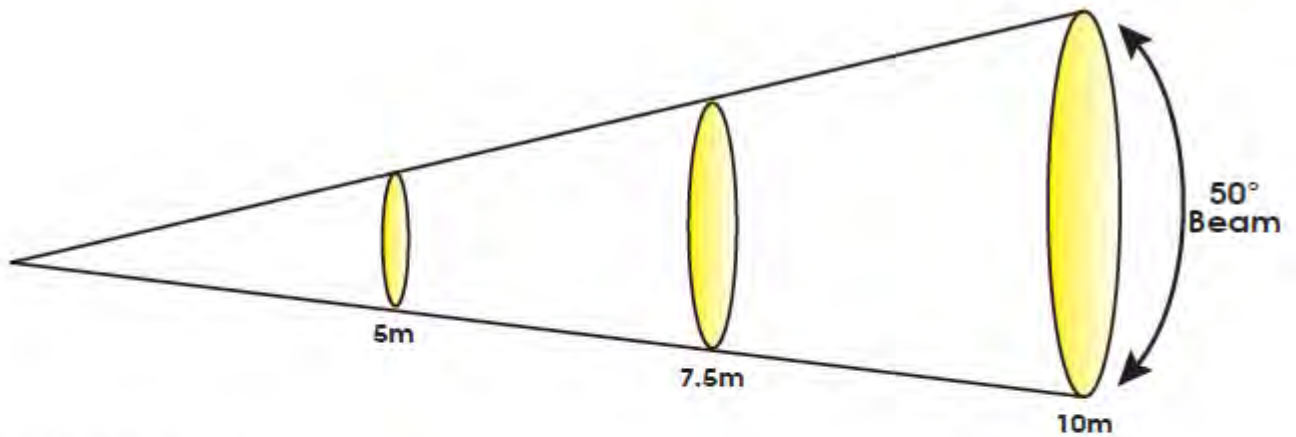
Please Note: Specifications and improvements in the design of this unit and this manual are subject to change without any prior written notice.

PHOTOMETRIC DATA



MIN ZOOM

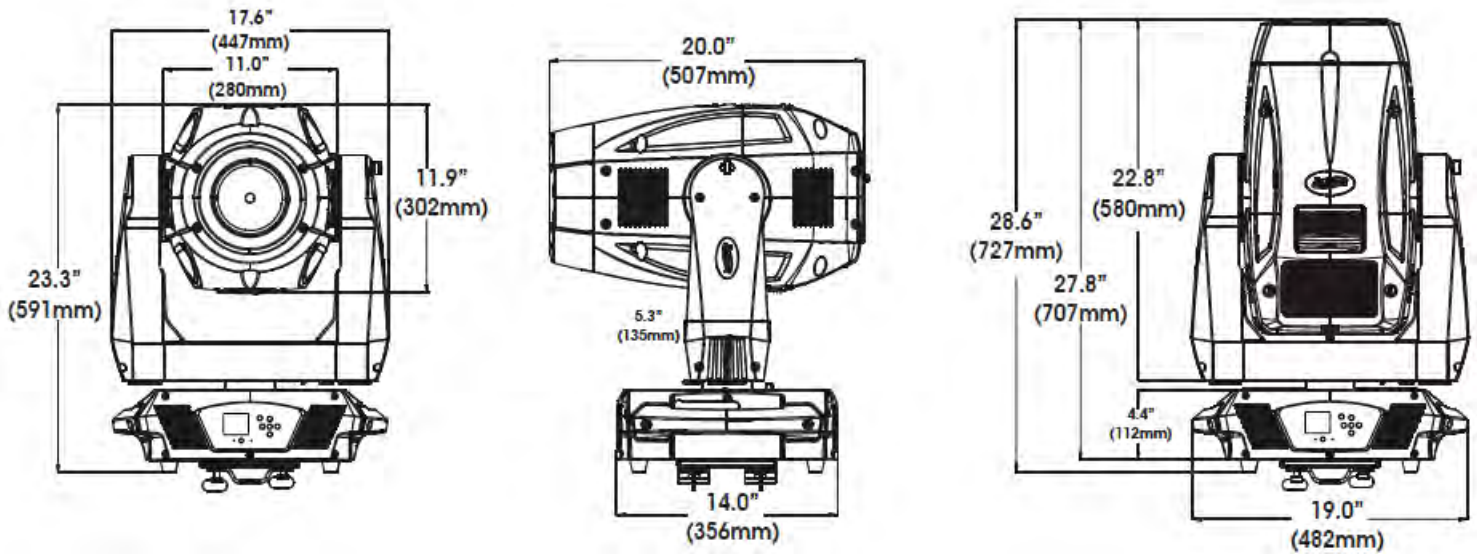
	m	ft	m	ft	m	ft
Distance	5	16.4	7.5	24.6	10	32.8
8° Beam Diameter	0.7	2.3	1.05	3.4	1.4	4.6
Photometrics	lux	fc	lux	fc	lux	fc
FULL ON	76,880	7,142	33,500	3,112	18,750	1,742



MAX ZOOM

	m	ft	m	ft	m	ft
Distance	5	16.4	7.5	24.6	10	32.8
50° Beam Diameter	4.66	15.3	6.99	22.9	9.33	30.6
Photometrics	lux	fc	lux	fc	lux	fc
FULL ON	2,725	253	1,290	120	812	75

DIMENSIONAL DRAWINGS



Please Note: Specifications and improvements in the design of this unit and this manual are subject to change without any prior written notice.

OPTIONAL ACCESSORIES

ORDER CODE	ITEM
TRIGGER CLAMP	Heavy Duty Wrap Around Hook Style Clamp
DRC35TOUR	Road Case For Platinum Spot 35 PRO™
EWDMXSYSTEM	Wireless DMX System (1 Transmitter, 1 Receiver)
AC3PDMX5PRO	5 ft. (1.5m) 3pin PRO DMX Cable
AC5PDMX5PRO	5 ft. (1.5m) 5pin PRO DMX Cable
	Additional Cable Lengths Available

