



LEVEL Q7™

SKU# LEV054

The Level Q7™ features (7) 15W QUAD color RGBW LEDs, 7° beam, color correction (2,700K - 7,200K), electronic strobe (1-18 fps) and dimming (0-100%), flicker free operation for TV and FILM, rugged die-cast aluminum exterior, rubber padded base with dual yoke / floor stand, multiple unit power linking, 127W max power consumption, a multi-voltage universal auto switching power supply (120-240v), and gel frame, gel frame holder, and filter gel included.

FEATURES

- (7) 15W QUAD Color RGBW LEDs**
- 3636 LUX 388 FC @16.4' (5M)**
- 7° Beam and 13° Field Angles**
- Color Correction (2,700K - 7,200K)**
- Electronic Strobe (1-18 fps) and Dimming (0-100%)**
- Flicker Free Operation for TV and FILM**
- Rugged Die-Cast Aluminum Exterior**
- Rubber Padded Base with Dual Yoke / Floor Stand**
- Multiple Unit Power Linking**
- 127W Max Power Consumption**
- Gel Frame, Gel Frame Holder, and Filter Gel Included**



ELATION | LEVEL Q7™ | Product Specification Sheet

Specifications are subject to change without notice ©Elation Professional 07/25/16

Elation Professional USA | 6122 S. Eastern Ave. | Los Angeles, CA. 90040
323-582-3322 | 323-832-9142 fax | www.elationlighting.com | info@elationlighting.com

Elation Professional B.V. | Junostraat 2 | 6468 EW Kerkrade, The Netherlands
+31 45 546 85 66 | +31 45 546 85 96 fax | www.elationlighting.eu | info@elationlighting.eu

PRODUCT SPECIFICATIONS

SOURCE

(7) 15W QUAD Color RGBW LEDs
 100,000 Hour Average LED Life*

*LED Life may vary depending on several factors including but not limited to: Environmental Conditions, Power/Voltage, Usage Patterns (On-Off Cycling), Control and Dimming.

PHOTOMETRIC DATA

3636 LUX 388 FC @16.4' (5M)

EFFECTS

Electronic Strobe and Varying Settings
 Color and Chase Macros
 Electronic Dimming: 0% - 100%

CONTROL / CONNECTIONS

(4) DMX Channel Modes (4 / 5 / 7 / 9)
 (4) Button Control Panel
 LCD Menu Display
 5pin DMX In/Out
 powerCON In/Out

SIZE / WEIGHT

Length: 11.0" (278.6mm)
 Width: 5.5" (140.5mm)
 Vertical Height: 10.2" (260mm)
 Weight: 9.0 lbs. (4 kg)

ELECTRICAL / THERMAL

AC 100-240V - 50/60Hz
 127W Max Power Consumption
 Multiple Unit Power Linking
 -13°F to 113°F (-25°C to 45°C)

APPROVALS / RATINGS



INCLUDED ITEMS

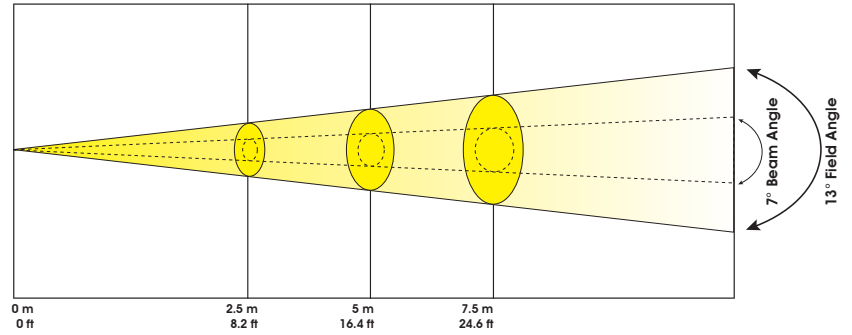
- (1) powerCON Cable
- (1) 5pin XLR Cable
- (1) Safety Cable
- (1) Gel Frame, Gel Frame Holder, and Filter Gel



GEL FRAME HOLDER KIT
 SKU RLEV054-GFH

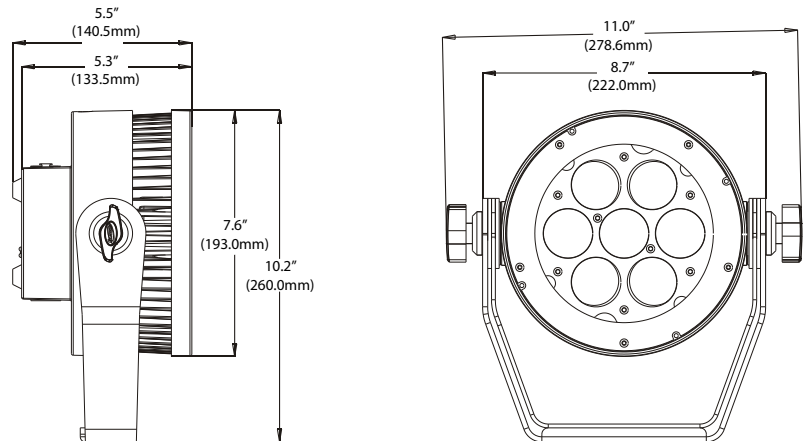
PHOTOMETRIC DATA

RED LEDs	190 FC / 2046 LUX	43 FC / 467 LUX	19 FC / 200 LUX
GREEN LEDs	596 FC / 6420 LUX	145 FC / 1565 LUX	64 FC / 693 LUX
BLUE LEDs	88 FC / 950 LUX	23 FC / 249 LUX	10 FC / 113 LUX
WHITE LEDs	695 FC / 7485 LUX	176 FC / 1890 LUX	79 FC / 850 LUX
FULL ON	1366 FC / 14,700 LUX	338 FC / 3636 LUX	149 FC / 1601 LUX



7° Beam Angle	Ø 0.32 m / Ø 1.0 ft	Ø 0.62 m / Ø 2.0 ft	Ø 0.92 m / Ø 3.0 ft
13° Field Angle	Ø 0.57 m / Ø 1.9 ft	Ø 1.12 m / Ø 3.7 ft	Ø 1.66 m / Ø 5.4 ft

DIMENSIONAL DIAGRAM



OPTIONAL ACCESSORIES

ORDER CODE	ITEM
NARROW CLAMP	2" Pro Wrap Around Clamp
AC5PDMX5PRO	5 ft. (1.5m) 5pin PRO DMX Cable
PLC3	3' (1m) PowerCON PRO Link Cable
LEV054-GFH	Gel Frame Holder Kit (7.88" Slot Holder, Gel Frame, and (4) Screws)
LEV054-GFH-S4	Source 4 Accessory Holder (7.50" Slot Holder and (4) Screws)
LSF536	Light Shaping Filter 30° 20" x 24" Sheet
LSF537	Light Shaping Filter 20° 20" x 22" Sheet
LSF538	Light Shaping Filter 60° x 1° 20" x 24" Sheet
LSF559	Light Shaping Filter 10° 20" x 24" Sheet



Specifications are subject to change without notice ©Elation Professional 07/25/16

Elation Professional USA | 6122 S. Eastern Ave. | Los Angeles, CA. 90040
 323-582-3322 | 323-832-9142 fax | www.elationlighting.com | info@elationlighting.com

Elation Professional B.V. | Junostraat 2 | 6468 EW Kerkrade, Netherlands
 +31 45 546 85 66 | +31 45 546 85 96 fax | www.elationlighting.eu | info@elationlighting.eu