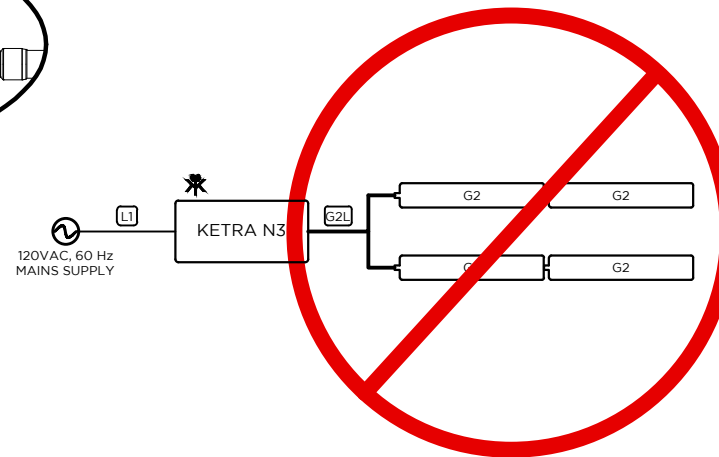
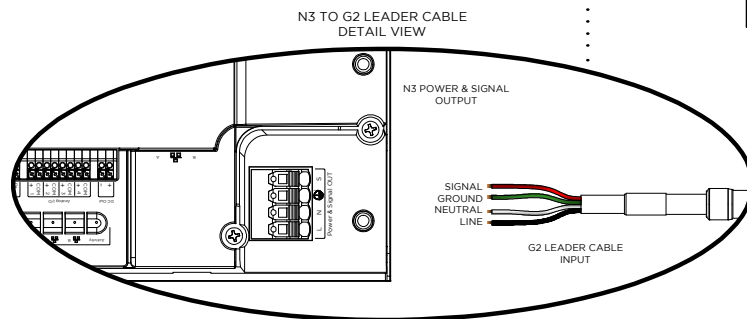
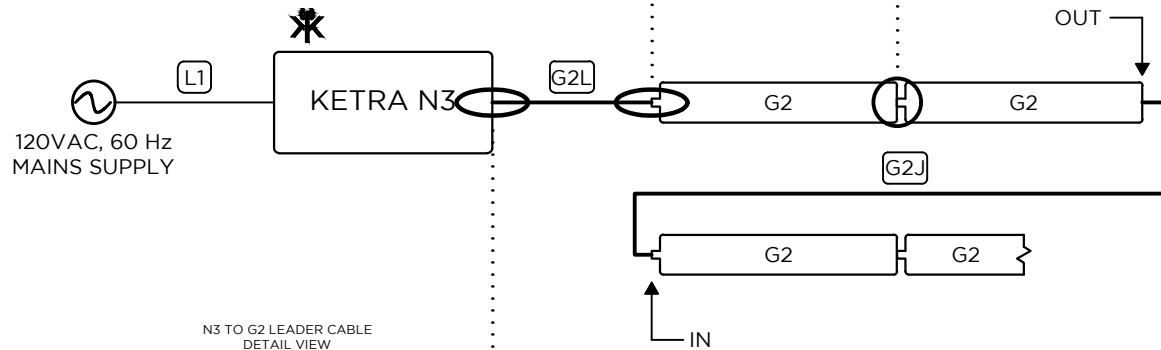
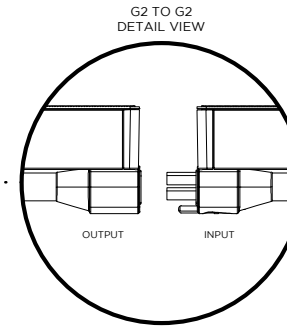
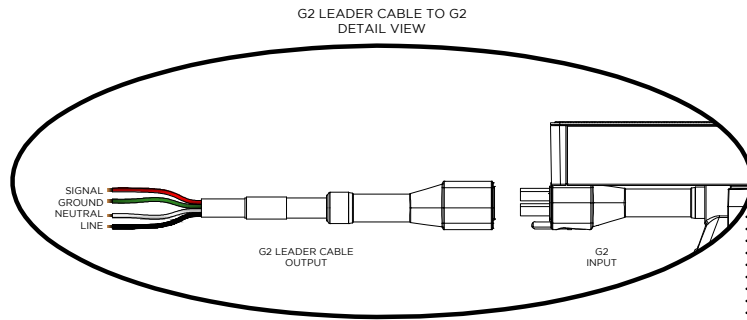


KETRA

3815 S. CAPITAL OF TEXAS HWY
SUITE 100
AUSTIN, TX 78704
P: 512.347.1100

GENERAL NOTES:

1. KETRANET MESH IS KETRA'S WIRELESS CONTROL PROTOCOL.
2. A NODE IS A KETRANET MESH ENABLED WIRELESS DEVICE.
3. 50 KETRANET MESH NODES MAX. PER INSTALLATION NETWORK.
4. ALL KETRANET MESH NODES TO BE INSTALLED WITHIN 50'-0" RANGE OF THE NEAREST NODE.
5. PER N3:
MAX. FIXTURE QTY: 40FT OF G2
MAX. RUN LENGTH: 100FT



STAR TOPOLOGIES ARE NOT SUPPORTED

KEY

- 12 AWG, 3 WIRE
- KETRA G2 LEADER CABLE
- KETRA G2 JUMPER CABLE
- KETRANET MESH WIRELESS NETWORK

FOR REFERENCE ONLY
NOT FOR
CONSTRUCTION

DRAWING TYPE: OL
DRAWING #:
REVISION #: 00
DATE: 04/11/2016
DRAWN BY: CEH
CHECKED BY: GEB
SCALE: NTS

SHEET NAME
KETRA N3 TO G2

SHEET
1 OF 1